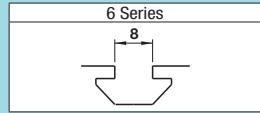


Thin Brackets

For 6 Series (Slot Width 8mm) Aluminum Extrusions

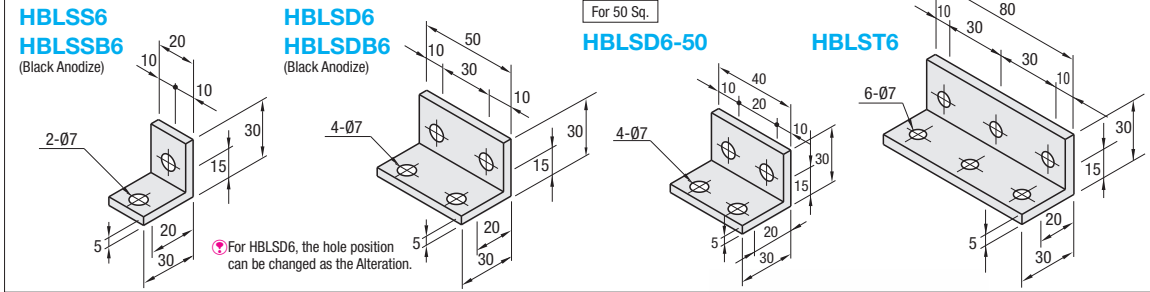


Features: Thin Extruded Brackets with space saving design.

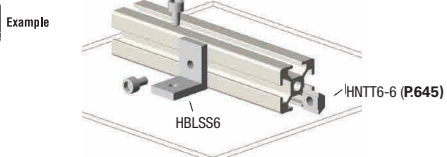
Thin Brackets



Type	Material	Surface Treatment
HBLSS6	A6N01SS-T5	Anodize
HBLSSB6		Black Anodize
HBLSD6-50		Anodize

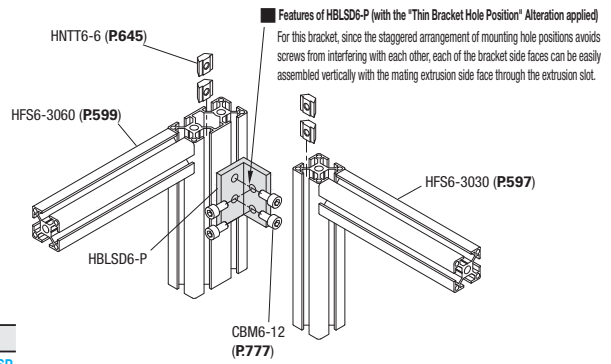


Part Number Type	Mass (g)	Applicable Screw, T Nut		Allowable Load (N)	Unit Price (1-99 pcs)	Volume Discount Rate 100-200
		Screw Qty.	T Nut Qty.			
HBLSS6	14	CBM6-12	2	HNTT6-6	980	
HBLSSB6* (Black Anodize)						
HBLSD6	35	CBM6-12	4	HNTT6-6	1568	
HBLSD6B* (Black Anodize)						
HBLSD6-50	28		4		1568	
HBLST6	56		6		2352	



Ordering Example Part Number: **HBLSS6**

Alterations Part Number - (P, SET, SST, SEU, SSU, SEP, SSP)
 HBLSD6 - P
 HBLSP6 - SET
 HBLSD6 - P - SET



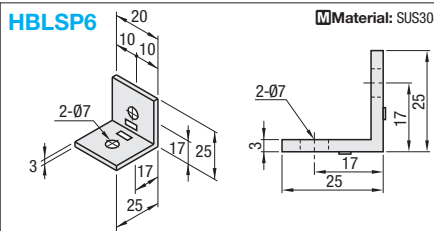
Features of HBLSD6-P (with the "Thin Bracket Hole Position" Alteration applied)
 For this bracket, since the staggered arrangement of mounting hole positions avoids screws from interfering with each other, each of the bracket side faces can be easily assembled vertically with the mating extrusion side face through the extrusion slot.

Alterations	Code	Spec.	Applicable Bracket	JPY/1Code					
Applicable Screws and Nuts Set	SET (Stainless Steel)	Applicable screws and nuts for fixing the brackets on extrusions come in a set. (Adds to the bracket price.) (Ex.) When HBLSS6 is specified: Screw Nut Code Part Number Qty. Part Number Qty. SET CBM6-12 HNTT6-6 SST SCB6-12 HNTT6-6 SEU SCB6-12 HNTT6-6 SSU SCB6-12 SHNTT6-6 SEP CBM6-12 SHNTT6-6 SSP SCB6-12 SHNTT6-6 When specifying other than HBLSS6 check for the applicable screws and nuts.	HBLSS6	SET	SST	SEU	SSU	SEP	SSP
	SEU (Pre-Assembly Spring Nuts Stainless Steel)		HBLSSB6	-	-	-	-	-	-
	SSU (Pre-Assembly Spring Nuts Stainless Steel)		HBLSD6	-	-	-	-	-	-
	SEP (Pre-Assembly Spring Nuts Stainless Steel)		HBLSD6B6	-	-	-	-	-	-
	SSP (Pre-Assembly Spring Nuts Stainless Steel)		HBLST6	-	-	-	-	-	-
			HBLSD6-50	-	-	-	-	-	-
			HBLSP6	-	-	-	-	-	-
			HBLBL6	-	-	-	-	-	-

⚠ Screws for black anodized brackets are made of HCBMTB (Trivalent Chromate Black) on P.777.
 ⚠ Included Screw is not RoHS compliant when -SET, -SEU or -SEP is specified for any bracket other than black anodized ones.

Features: Thin Brackets with tabs to fit in slots of extrusions. Since the tabs serve as the rotation stoppers for brackets when tightening, work efficiency is improved.

Thin Stainless Steel Tabbed Brackets



Ordering Example Part Number: **HBLSP6**



Features of HBLSP (Slot Stainless Steel Brackets with Tabs)

Part Number Type	Mass (g)	Applicable Screw, T Nut		Allowable Load (N)	Unit Price (1-99 pcs)	Volume Discount Rate 100-200
		Screw Qty.	T Nut Qty.			
HBLSP6	33	CBM6-12	2	HNTT6-6	2	980



Alterations

※ Supplies a set of applicable screws and nuts for fixing the bracket to an extrusion. See the above Alterations Table.

