


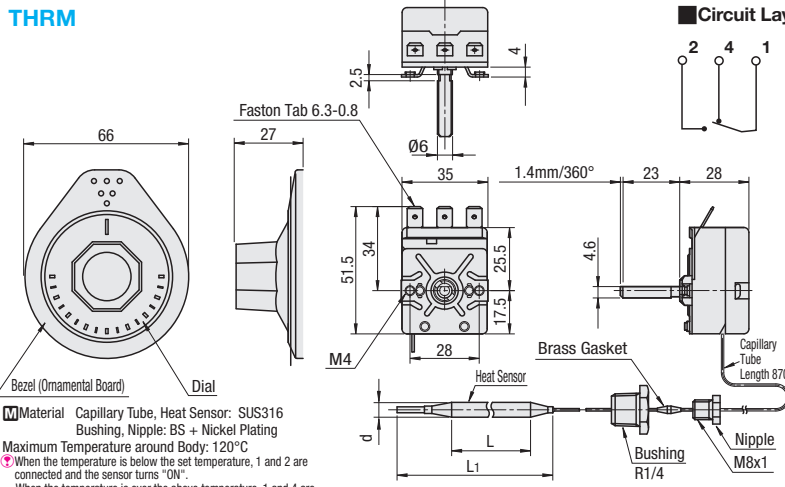
# Thermostats, Thermostat Enclosures, Protection Tubes

**Thermostats**



**RoHS 10**

**THRM**

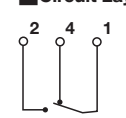


Faston Tab 6.3-0.8

Bezel (Ornamental Board) Dial

Material: Capillary Tube, Heat Sensor: SUS316  
Bushing, Nipple: BS + Nickel Plating  
Maximum Temperature around Body: 120°C  
When the temperature is below the set temperature, 1 and 2 are connected and the sensor turns "ON".  
When the temperature is over the above temperature, 1 and 4 are connected and the sensor turns "OFF".

**Circuit Layout**




Part Number	d	L	L1	Measurement Temperature Range	ON/OFF Temperature Difference	Sensor Min. Temp.	Sensor Max. Temp.	Unit Price 1 ~ 4 pc(s).
<b>THRM</b>								
L	6	78	113	30 ~ 110°C	±4.5°C	-10°C	120°C	
H	4	57	91	50 ~ 320°C	±10°C		330°C	

- Features**  
Temperature control is performed by turning on and off the contact with the liquid, which has a high thermal expansion coefficient, sealed in the heat sensor section.
- Specification**
- Indicated Temperature: OFF value (between terminals 1 and 2)
  - Contact Capacity: 1-2 Resistive Load 16A Inductive Load 2.6A Voltage 250V
  - 1-4 Resistive Load 8A Inductive Load 0.6A Voltage 250V

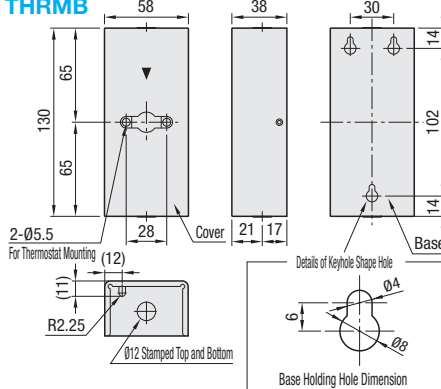
⚠ Minimum bending radius of capillary tube is 5mm. ⚠ For orders larger than indicated quantity, please check with WOS.  
⚠ Please use a thermostat for overheat protection, not for temperature control.

**Thermostat Enclosures**



**RoHS 10**

**THRMB**



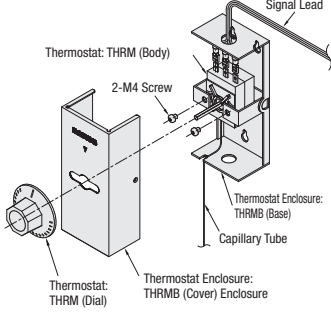
2-Ø5.5 For Thermostat Mounting (12)

Details of Keyhole Shape Hole

Base Holding Hole Dimension


Material: SPC  
Surface Treatment: Zinc Plating (Trivalent Chromate)

**Example of Installation**



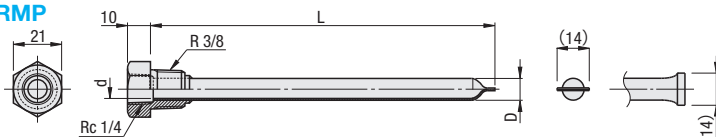
Thermostat: THRM (Body)  
2-M4 Screw  
Thermostat Enclosure: THRMB (Base)  
Capillary Tube  
Thermostat: THRM (Dial)  
Thermostat Enclosure: THRMB (Cover) Enclosure

**Protection Tubes**



**RoHS 10**

**THRMP**



Material: SUS304

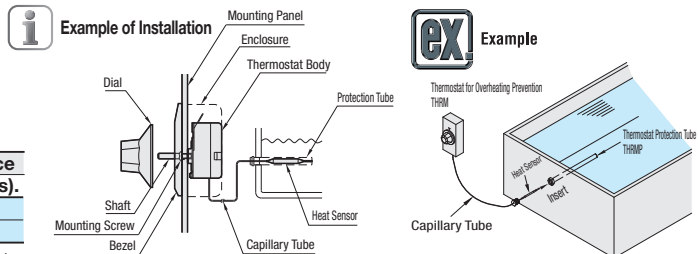
**Thermostat Enclosures**

Part Number	Unit Price	
Type	No.	1 ~ 4 pc(s).
<b>THRMB</b>	1	

**Protection Tubes**

Part Number	Applicable Thermostat	Unit Price			
Type	No.	D	d	L	1 ~ 4 pc(s).
<b>THRMP</b>	H	9.5	7.5	150	THRML
	L	8	6	120	THRML

⚠ Please be careful of the combination of thermostat and No. L/H of protection tube.



**Ordering Example**

Part Number  
**THRML**  
**THRMB1**  
**THRMPH**