


# Sheathed Heaters for Liquid Heating

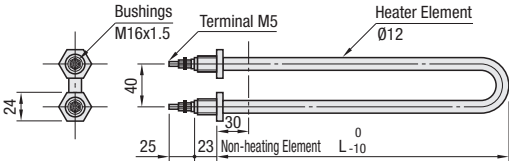
U/M Fixed / Straight, One Terminal

**Sheathed Heaters**

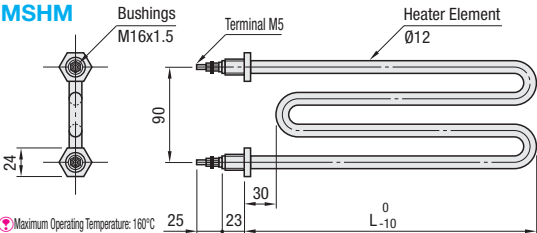


RoHS 10

**MSHU** (100V, 200V / Single-phase) For water heating



**MSHM**




⚠ Maximum Operating Temperature: 160°C

<b>M</b> Material	Heater Element : SUS316L
	Bushing : SUS304
<b>A</b> Accessory	Gasket : Non Asbestos
	Flat Washer : SUS304
	Nut : SUS304

Part Number		V (Voltage) Selection	L	W (Electric Power)	Electrical Power Density (W/cm <sup>2</sup> )	Unit Price
Type	No.					
MSHU	0.5	100	150	500	5.5	
	1	200	200	1000	8.0	
	1.5	200	300	1500	7.5	
	2	200	400	2000	7.0	
MSHM	0.5	100	100	500	5.0	
	1	200	150	1000	5.5	
	1.5	200	200	1500	6.0	
	2	200	250	2000	6.0	

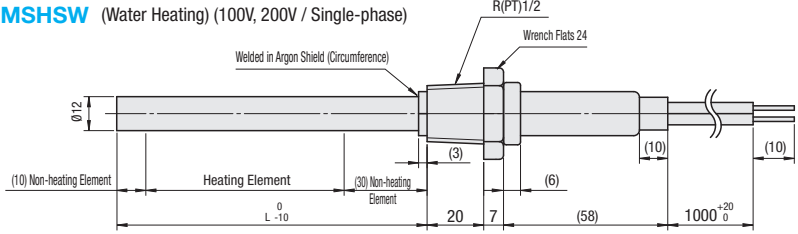
**Ordering Example** Part Number - V  
MSHU1.5 - V200

**Straight, One Terminal**



RoHS 10

**MSHSW** (Water Heating) (100V, 200V / Single-phase)



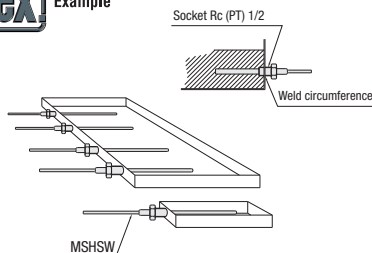
⚠ Maximum Operating Temperature: 160°C

<b>M</b> Material	Heater Element : SUS316L (for Water)	Lead Wire Protection Cap : Silicon Rubber (Heat Resistant Temperature: 180°C)
	Bushing : SUS304	Lead Wire : Glass Braid Silicon Coated Wire (Heat Resistance Temperature: 180°C)

Part Number		V (Voltage) Selection	L	W (Electric Power)	Electrical Power Density (W/cm <sup>2</sup> )	Unit Price
Type	No.					
MSHSW (Water Heating)	0.5	100	230	500	7.0	
		200				
	0.75	100				
		200				
	1	200				
1.5	200					

**Ordering Example** Part Number - V  
MSHSW1.5 - V200

**Example**



Socket Rc (PT) 1/2  
Weld circumference.

MSHSW