


Cartridge Heaters

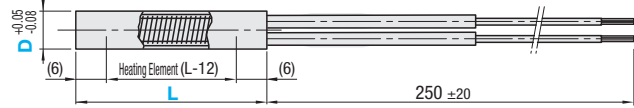
High Temperature Type

Be sure to refer to "Precautions for Use" in the Cartridge Heater Overview on P.1605.

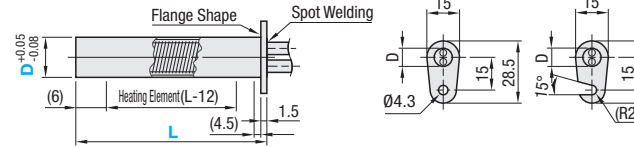


RoHS 10

MHK (No Flange)



MHKA (Flange Shape A)
MHKB (Flange Shape B)



Material: Heater: Incoloy
Lead Wire: Glass Braid Lead (Heat Resistance Temperature: 200°C)

L Tolerance

L	Tolerance
101.6 or Less	±2.4
127.0 or More	L dimension ±2%

- ☑ The color of insulation tube is white or red.
- ☑ Maximum Operating Temperature: 871°C
- ☑ Maximum Operating Temperature means value at the sheath part. Please pay attention to Lead Wire Heat Resistance Temperature and be sure to put the lead wire out of the mounting hole.
- ☑ For heaters with power density of 20W/cm² or higher, a large clearance of the mounting hole of the plate can cause overtemperature. Hole Machining according to the actual dimension is recommended.

Features of the Cartridge Heater - High Temperature Type
This cartridge heater has higher electrical power density and excels in thermal efficiency compared with conventional products.
Sheath part, made of Incoloy that excels in heat-resistance, is strong and has long operation life.

Precautions for Use

- ☑ Do not let the heaters run idle in the atmosphere. If the heater is used with some or the whole of the heating element projected from the heated objects, the wire may break or ignite due to abnormal heating.
- ☑ Pay attention to insulation tube as it is easy to fall off.
- ☑ Keep the temperature around the lead wire exit at 130°C or less.

High Temperature Type

Part Number	L	V (Voltage)	W	Electrical Power	Unit Price	
Type	D	Selection	(Electric Power)	Density (W/cm ²)	Qty. 1 - 10	
MHK	6.25	25.4	120	80	32.3	
			120	100	40.3	
			120	150	60.5	
		31.8	120	75	20.2	
				120	100	26.8
				120	125	33.7
			240	150	40.3	
				150	40.3	
				200	53.6	
		38.1	120	100	20.2	
				150	30.2	
				150	30.2	
	240		175	35.4		
			200	40.3		
			250	50.4		
	50.8	120	50	7.4		
			120	100	13.5	
			120	150	20.2	
		240	150	20.2		
			200	26.8		
			250	33.6		
			300	250	33.6	
				300	40.3	
				300	40.3	
		76.2	120	100	8.1	
				120	150	12.1
				120	200	16.1
	240		200	16.1		
			250	20.2		
			250	20.2		
			300	240	24.2	
				300	24.2	
				300	24.2	
	101.6		120	100	5.7	
				120	150	8.7
				120	200	11.5
		240	200	11.5		
			250	14.4		
			250	14.4		
			300	240	17.2	
				300	17.2	
				300	11.0	
		152.4	120	300	11.0	
				400	14.7	
				400	14.7	
	240		400	14.7		
			600	22.0		
			600	22.0		

Part Number	L	V (Voltage)	W	Electrical Power	Unit Price	
Type	D	Selection	(Electric Power)	Density (W/cm ²)	Qty. 1 - 10	
MHK	9.42	25.4	120	50	13.2	
			120	100	26.7	
			120	150	40.1	
		31.8	120	75	13.2	
				120	100	17.5
				120	125	22.0
			240	150	26.4	
				150	26.4	
				200	35.7	
		38.1	120	200	35.7	
				75	10.1	
				100	13.2	
	240		150	19.7		
			150	19.7		
			200	26.4		
	44.5	120	200	26.4		
			250	26.4		
			250	33.5		
		240	250	33.5		
			120	120	13.3	
			120	150	15.8	
			120	175	18.9	
				200	21.2	
				250	26.7	
		50.8	120	250	26.7	
				50	4.3	
				100	8.7	
	240		150	13.2		
			150	13.2		
			200	17.5		
			240	200	17.5	
				250	22.0	
				250	22.0	
	57.2		120	300	26.8	
				300	26.8	
				350	30.7	
		240	400	35.7		
			400	35.7		
			75	5.7		
			120	100	7.6	
				150	11.3	
				175	13.2	
		240	200	15.0		
			250	18.9		
			250	13.5		
	120		250	16.7		
			300	20.2		
			300	20.2		
63.5	240	300	20.2			
		300	20.2			
		500	33.5			

Part Number	L	V (Voltage)	W	Electrical Power	Unit Price
Type	D	Selection	(Electric Power)	Density (W/cm ²)	Qty. 1 - 10
MHK	9.42	76.2	120	100	5.3
			120	150	8.0
			120	200	10.5
		88.9	120	200	10.5
				240	13.2
				250	13.2
			240	250	13.2
				300	15.8
				300	15.8
		101.6	120	400	21.4
				400	21.4
				500	26.4
	240		500	26.4	
			600	32.2	
			600	32.2	
	127.0	120	250	11.2	
			300	13.3	
			300	13.3	
		240	500	22.3	
			500	22.3	
			120	150	5.7
			120	200	7.6
				250	9.5
				250	9.5
		152.4	120	300	11.3
				300	11.3
				400	15.0
	240		400	15.0	
			500	18.9	
			500	18.9	
			120	150	4.5
				200	5.9
				200	8.8
	240		300	8.8	
			500	14.7	
			500	14.7	
		120	250	6.0	
			300	7.3	
			300	7.3	
	240	400	9.8		
		400	9.8		
		500	12.2		
		120	500	12.2	
			600	14.6	
			600	14.6	
	240	750	18.1		
		750	18.1		
		900	21.5		
240		1000	24.0		

☑ For orders larger than indicated quantity, please check with WOS.

☑ For orders larger than indicated quantity, please check with WOS.

☑ For orders larger than indicated quantity, please check with WOS.