

# Links

## Bearing Embedded

■ **Features:** Bearing integrated links to support rotations.

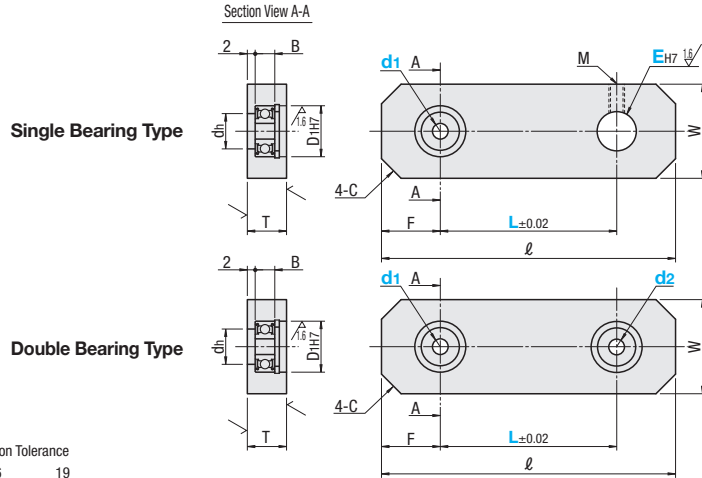
RoHS10



Type		Material		Surface Treatment		Accessory	
Single Bearing	Double Bearing	Links	Bearing	Surface Treatment		Retaining Ring	Set Screw
LNBB	LNBWB	S45C	Steel	Black Oxide		Spring Steel	
LNBM	LNBWM	Equivalent		Electroless Nickel Plating			SUS304
-	LNBWS	SUS304	Stainless Steel	-		SUS304	SUS304

25 / (√1.6 / √)

\* Double Bearing Type has no set screw.



• T Dimension Tolerance

T	10~16	19
	-0.3~-0	-0.33~-0

Bearing Accuracy: JIS B 1514 Class 0 For details, see P.1-2239

### Single Bearing Type

Part Number	EH7 Selection		L	W	T	ℓ	F	C	Tightening Screw M	Bearing No.	D <sub>1H7</sub>	Tolerance	dh	B
Type	d <sub>1</sub>		1mm Increment											
LNBB LNBW	5	3 4 5 6 8	20~150	20	10	L+22	10	5	When EH7 is 3 ~ 6, M3 8 ~ 16, M4 18 ~ 25, M6	605ZZ	14	+0.018	10	5
	6	3 4 5 6 8 10	25~150		12	L+25	12			606ZZ	17	0	13	6
	8			29	12	L+32	14			608ZZ	22		18	7
	10	3 4 5 6 8 10 12 13 14 15 16	30~150	34		L+36	17			6000ZZ	26	+0.021	22	8
	12	3 4 5 6 8 10 12 13 14 15 16 18	35~200	36	16	L+40	18			6001ZZ	28	0	24	8
	15	3 4 5 6 8 10 12 13 14 15 16 18 20	40~200	40		L+44	20			6002ZZ	32		28	9
	20			50		L+56	26			6004ZZ	42	+0.025	36	12
	25	3 4 5 6 8 10 12 13 14 15 16 18 20 25	55~300	56	19	L+63	29			6005ZZ	47	0	41	12

### Double Bearing Type

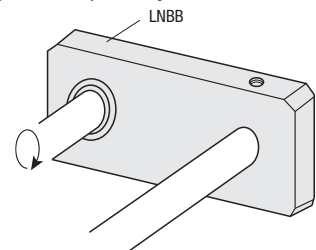
Part Number	d <sub>2</sub> Selection		L	W	T	ℓ	F	C	d <sub>1</sub> /d <sub>2</sub> Dimensions	Bearing No.				
Type	d <sub>1</sub>		1mm Increment											
LNBWB LNBWM LNBWS	5	5	20~150	20	10	L+20	10	5	5	14	10	5	605ZZ	
	6	5 6	25~150		12	L+24	12		6	17	13	6	606ZZ	
	8	5 6 8	30~150	29	12	L+28	14		8	22	18	7	608ZZ	
	10	5 6 8 10	30~150	34		L+34	17		10	26	22	8	6000ZZ	
	12	5 6 8 10 12	35~200	36	16	L+36	18		8	12	28	24	8	6001ZZ
	15	5 6 8 10 12 15	40~200	40		L+40	20		15	32	28	9	6002ZZ	
	20	5 6 8 10 12 15 20	45~300	50		L+52	26		20	42	36	12	6004ZZ	
	25	5 6 8 10 12 15 20 25	55~300	56	19	L+58	29		25	47	41	12	6005ZZ	



Ordering Example  
Part Number - E - d<sub>2</sub> - L  
LNBB12 - 16 - 150  
LNBWS10 - 5 - 150



Example  
• Fixes the shaft by the set screw side, and supports rotations by the bearing side.



d <sub>1</sub>	Unit Price				
	LNBB	LNBW	LNBWB	LNBWM	LNBWS
5	Min. L - 100/L101 - Max. L	Min. L - 100/L101 - Max. L	Min. L - 100/L101 - Max. L	Min. L - 100/L101 - Max. L	Min. L - 100/L101 - Max. L
6					
8					
10					
12					
15					
20					
25					