


Hinge Bases

Standard T-Shaped

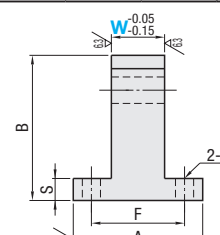
■ **Features:** T-Shaped and Height Configurable at 1 mm Increment. Oil Free Type is also available.



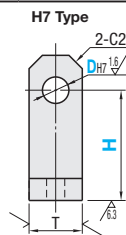
RoHS10

W Fixed		W and H Configurable		Material	Surface Treatment
H7 Type	Oil Free Type	H7 Type	Oil Free Type		
HKTB	HKTBM	HGBTB	HGBTBM	S45C Equivalent	Black Oxide
HKTM	-	HGBTM	-	SUS304	Electroless Nickel Plating
HKTS	-	HGBTS	-	-	-

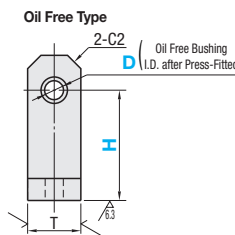
$\sqrt[25]{(\sqrt[6.3]{1.6})}$



H7 Type



H7 Type



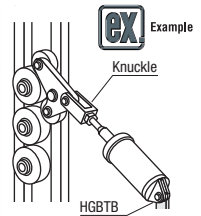
Oil Free Type

(Oil Free Bushing)
D (I.D. after Press-Fitted)

W Fixed

Type	Part Number			H 1mm Increment	W	A	F	B	S	T	d	Oil Free Bushing				
	D	H7 Type D Tolerance	Oil Free Type D Tolerance (Reference)									d (I.D.)	L (Overall Length)			
(H7) HKTB HKTM HKTS	2	+0.01	-	15-20	4	22	15	H+3	5	9	4.5	-	-			
	3	0	-	15-25	6	25	17	H+5								
	4	+0.012	+0.062	20-30	8	32	23	H+6								
	(Oil Free) HKTBM	5	0	+0.065	25-35	10	27	H+8	10	16	5.5	8	8			
		6	0	0	30-40							12	19	10	8	
		8	+0.015	+0.068	35-45	16	50	37				H+12	22	6.5	-	-
		10	0	-	40-50	20	65	49				H+14	25	9	-	-
		12	+0.018	-	-	30	-	-				H+17	30	-	-	-
		13	0	-	-	-	-	-				-	-	-	-	-

For detailed dimensions of Hinge Pin, see P.908.



HGBTBM

D	W	Oil Free Bushing		
		d (I.D.)	L (Overall Length)	
4	4	4	3	
	5	4	4	
	6	4	5	
	8	4	6	
	5	5	4	
	6	5	5	
5	8	5	6	
	9	5	8	
	10	5	8	
	6	6	5	
	6	8	6	6
		9	6	8
10		6	8	
6	12	6	10	
	8	8	6	
	9	8	8	
	8	10	8	8
		12	8	10
		14	8	12
8	15	8	12	
	16	8	15	
	10	10	8	
	12	10	10	
	10	14	10	12
		15	10	12
10	16	10	15	
	18	10	15	
	12	12	10	
	12	15	12	12
		16	12	15
		18	12	15
12	14	13	12	
	15	13	12	
	13	16	13	15
		18	13	15
		20	13	15
	13	22	13	20
24		13	20	
15		15	15	12
		16	15	15
		18	15	15
15		20	15	15
	22	15	20	
	24	15	20	
	16	16	16	15
		18	16	15
		20	16	15
16	22	16	20	
	24	16	20	

W and H Configurable Type (For Oil Free Type, H dimension is fixed)

Type	Part Number			H7 Type		Oil Free Type		A	F	B	S	T	d	
	D	H7 Type D Tolerance	Oil Free Type D Tolerance (Reference)	W 1mm Increment	H 5mm Increment	W Selectable	H Fixed							
(H7) HGBTB HGBTM HGBTS	2	+0.01	-	3-5	15-20	-	-	22	15	H+3	5	9	4.5	
	3	0	-	3-6	15-25	-	-	25	17	H+5				
	4	+0.012	+0.062	4-8	15-25	4 5 6 8	-	32	23	H+6				
	(Oil Free) HGBTBM	5	0	+0.065	5-10	20-30	5 6 8 9 10	-	38	27	H+8	10	16	5.5
		6	0	0	6-12	20-30	6 8 9 10 12	-	25	27	H+8			
		8	+0.015	0	8-16	25-35	8 9 10 12 14 15 16	-	30	28	H+10			
		10	0	+0.068	10-18	30-40	10 12 14 15 16 18	-	50	37	H+12			
		12	0	-	12-18	30-40	12 14 15 16 18	-	35	37	H+12			
		13	+0.018	-	13-24	30-40	14 15 16 18 20 22 24	-	65	49	H+14			
	15	14	0	+0.068	15-24	35-45	15 16 18 20 22 24	-	-	-	H+17	15	22	6.5
		15	0	-	15-24	35-45	16 18 20 22 24	-	-	-	H+17			
		16	+0.015	0	16-24	35-45	16 18 20 22 24	-	-	-	H+17			
18		0	-	16-24	35-45	16 18 20 22 24	-	-	-	H+17				
20		+0.021	-	20-30	40-50	-	-	-	-	H+17				
25		0	-	25-35	40-50	-	-	-	-	H+17				

For detailed dimensions of Hinge Pin, see P.908.

Ordering Example: **Part Number** - **W** - **H**

HKTB13 - H35
HGBTB10 - W15 - H30
HGBTBM4 - W6

D	Unit Price							
	W Fixed				W and H Configurable			
	H7 Type		Oil Free Type		H7 Type		Oil Free Type	
	HKTB	HKTM	HKTS	HKTBM	HGBTB	HGBTM	HGBTS	HGBTBM
2								
3								
4								
5								
6								
8								
10								
12								
13								
14								
15								
16								
20								
25								