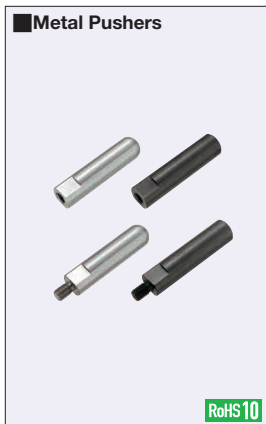
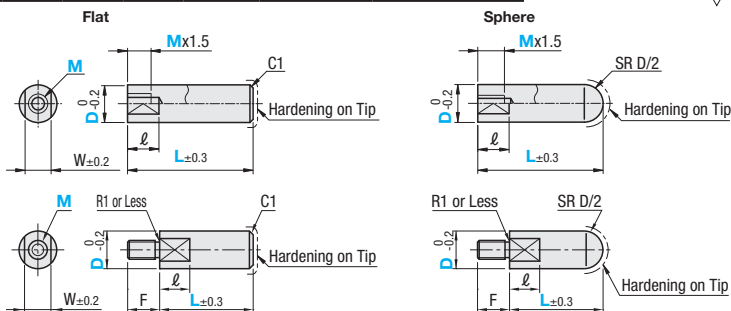


Metal Pushers / Urethane Caps



Type				Material	Surface Treatment	Hardness
Flat		Sphere				
Tapped	Threaded	Tapped	Threaded	S45C Equivalent SUS420J2	Black Oxide	Induction Hardened and Tempered HRC45-50
KPHF	KPMF	KPHR	KPMR			
KPHFS	-	KPHRS	-			



RoHS10

Tapped Type KPHFS and KPHRS (SUS420J2) may discolor due to Hardening.

Part Number	Type	D	L 1mm Increment		M Selection	ℓ	W	Unit Price				
			Flat	Sphere				KPHF	KPHFS	KPHR	KPHRS	
6	Flat KPHF KPHFS	15-50	17-50	3	8	5						
8		17-50	20-50	3 4		7						
10		19-50	23-50	3 4 5		8						
12		21-100	26-100	4 5 6		10						
15		23-100	30-100	5 6 8S 8		14						
16	Sphere KPHR KPHRS	26-100	34-100	6 8S 8 10S 10 12S 12 12M	10	17						
20		28-100	37-100	8S 8 10S 10 12S 12 12M		14						
30		36-100	50-100	10S 10 12S 12 12M 14S 18S		17						
40		41-150	60-100	10S 10 12S 12 12M 14S 18S		20						
						15	27					
						20	37					

Mx2.5+5≤L is required for Tapped Type. 8S, 10S, 12, 12S, 14S and 18S are fine thread pitch. For thread details, refer to the right.
12M is course thread pitch.

Thread

M	MxPitch	F
3	M3x0.5	5.5
4	M4x0.7	
5	M5x0.8	6.5
6	M6x1.0	11
8	M8x1.0	12
8S	M8x1.25	
10S	M10x1.25	
10	M10x1.5	14
12S	M12x1.25	
12	M12x1.5	16
12M	M12x1.75	
14S	M14x1.5	18
16	M16x2.0	20
18	M18x2.5	22
18S	M18x1.5	
20	M20x2.5	25

Threaded Type

Part Number	Type	D	L 1mm Increment		M Selection	ℓ	W	Unit Price	
			Flat	Sphere				KPMF	KPMR
6	Flat KPMF	15-50	17-50	3 4 5	8	5			
8		17-50	20-50	4 5 6		7			
10		19-50	23-50	5 6 8S 8		8			
12		21-100	26-100	6 8S 8 10S 10		10			
15		23-100	30-100	8S 8 10S 10 12S 12 12M		14			
16	Sphere KPMR	26-100	34-100	8S 8 10S 10 12S 12 12M	10	17			
20		28-100	37-100	10S 10 12S 12 12M 16		14			
25		36-100	55-100	10S 10 12S 12 12M 16		17			
30				16 18 20		22			
				16 18 20		15	27		

8S, 10S, 12 and 12S are fine thread pitch. For thread details, refer to the right. 12M is course thread pitch.

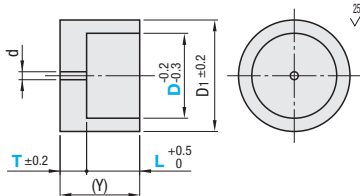
Ordering Example

Part Number	-	L	-	M
KPHF10	-	20	-	5
KPMF18	-	40	-	12S

Urethane Caps

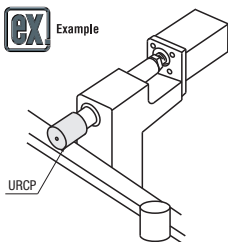


Type	Hardness	Material
URCPH	Shore A90	Ether Polyurethane
URCP	Shore A70	Ester Polyurethane
URCPL	Shore A50	



Ordering Example

Part Number	-	T	-	L
URCP6	-	5	-	10



Part Number	Type	D	T Selection	L Selection	D1	d	(Y)	Unit Price		
								URCPH	URCP	URCPL
3	3	3	5 8							
4	3	4	5*	10						
5	3	5		10* 15	8					
6	3	6		10* 15						
8	3	8		10* 15	12					
10	3	10		10* 15						
12	3	12		10* 15	15					
13	3	13		15 20						
16	3	16		15 20	20					
20	3	20		20* 25	25					
25	3	25		20 25	30					
30	3	30		20 25	35					
35	3	35		20 25	40					

* Only * marked dimensions are available for URCPH and URCPL.
Urethane may discolor over time but there is no effect on properties.
The Urethane Cap hole diameter is designed to fit the tolerances of MISUMI Linear Shafts.