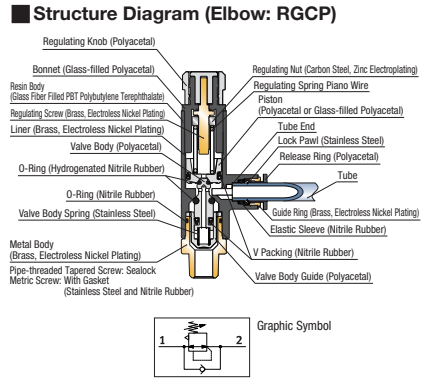
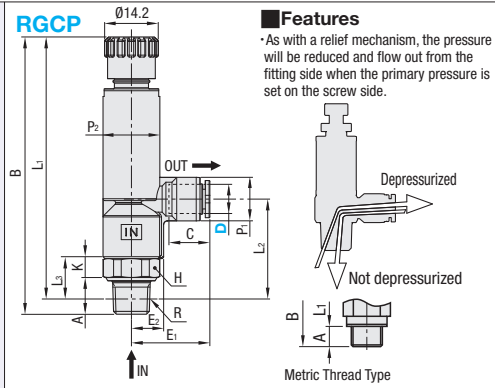


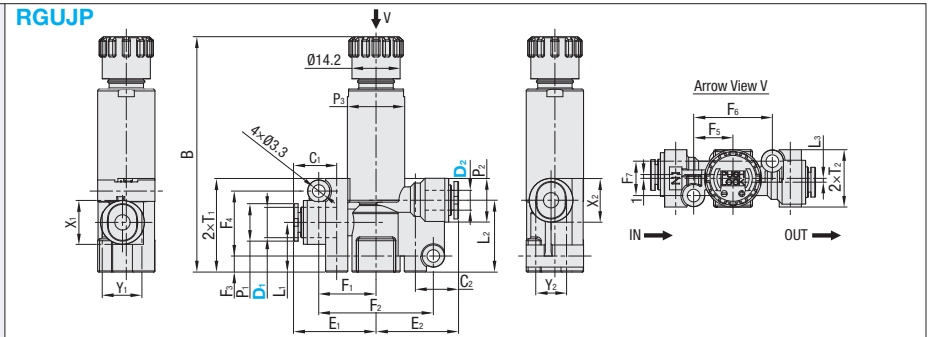


Regulator / Quick Exhaust Valves

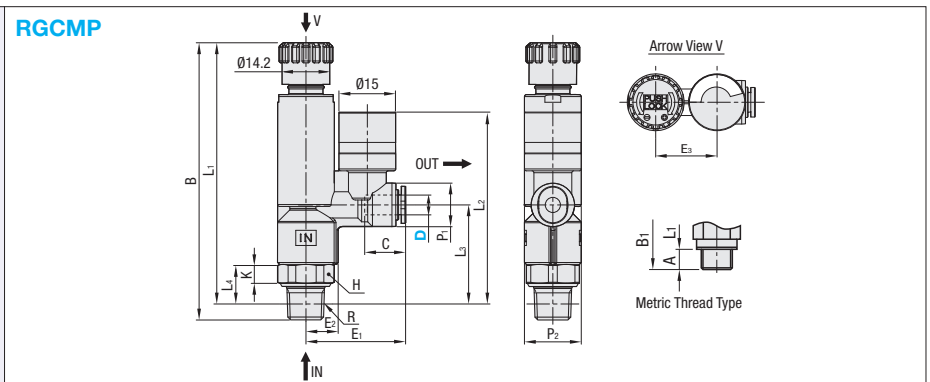
Elbow / Unions / Elbow with Gauge / Unions with Gauge



Type	Part Number	Tube O.D. (mm) D	Nominal	R	A	B		L1		L2	L3	P1	P2	C	E1	E2	Opposite Side H	K	Mass (g)	Unit Price 1 ~ 9 pc(s).	Volume Discount Rate 10~20
						Max	Min	Max	Min												
RGCP	4	M5	M5×0.8	3	70	67.4	67	64.4	24.2	8.5	11.5	15	11	20.7	8.5	14	6	5	26		
			R1/8	8	71.5	68.9	67.5	64.9	24.7	9											
	6	M5	M5×0.8	3	70	67.4	67	64.4	24.2	8.5	15.5	19	17	29.8	10.5	17	6	46			
			R1/8	8	71.5	68.9	67.5	64.9	24.7	9											
	8	M5	M5×0.8	3	70	67.4	67	64.4	24.2	8.5	19	19	27.7	8.5	14	5	29				
			R1/4	11	78.2	75.6	72.2	69.6	29	11											



Type	Part Number	D1	D2	B		L1	L2	L3	P1	P2	P3	C1	C2	E1	E2	F1	F2	F3	F4	F5	F6	F7	T1	T2	X1	X2	Y1	Y2	Mass (g)	Unit Price 1 ~ 9 pc(s).	Volume Discount Rate 10~20																				
				Max	Min																																														
RGUJP	4	4	4	61.6	59	13	18.8	1	11.5	11.5	15	11	11	21.6	21.6	15	30	4.2	17	10.3	20.6	9	24.5	15	9.8	9.8	7.8	7.8	19																						
																																4	4	11.6	11.6	22	22	19.8	39.6	4	21.5	11.7	23.4	13	28.4	19	-	-	-	-	32
																																6	6	18.1	18.1	28.6	28.6	19.8	39.6	4	21.5	11.7	23.4	13	28.4	19	-	-	-	-	33



Type	Part Number	Tube O.D. (mm) D	Nominal	R	A	B		L1		L2	L3	L4	P1	P2	C	E1	E2	E3	Opposite Side H	K	Mass (g)	Unit Price 1 ~ 9 pc(s).	Volume Discount Rate 10~20
						Max	Min	Max	Min														
RGCMP	4	M5	M5×0.8	3	70	67.4	67	64.4	48.7	24.2	8.5	11.5	15	11	26.3	8.5	16.2	14	6	5	29		
			R1/8	8	71.5	68.9	67.5	64.9	49.2	24.7	9												
	6	M5	M5×0.8	3	70	67.4	67	64.4	48.7	24.2	8.5	15.5	19	17	30	10.5	17.7	17	6	49			
			R1/8	8	71.5	68.9	67.5	64.9	49.2	24.7	9												
	8	M5	M5×0.8	3	70	67.4	67	64.4	48.7	24.2	8.5	19	19	28.4	8.5	16.2	14	5	31				
			R1/4	11	78.2	75.6	72.2	69.6	56.3	29	11												

Ordering Example: Part Number - Nominat: D2
 RGCMP4 - M5
 RGCP4 - M5