

# Small Switching Valves

## Actuator Set Type

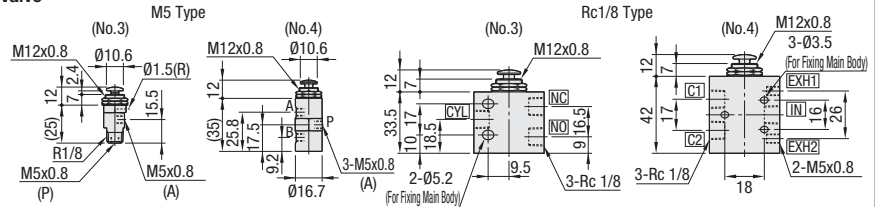
### Actuator Set Type



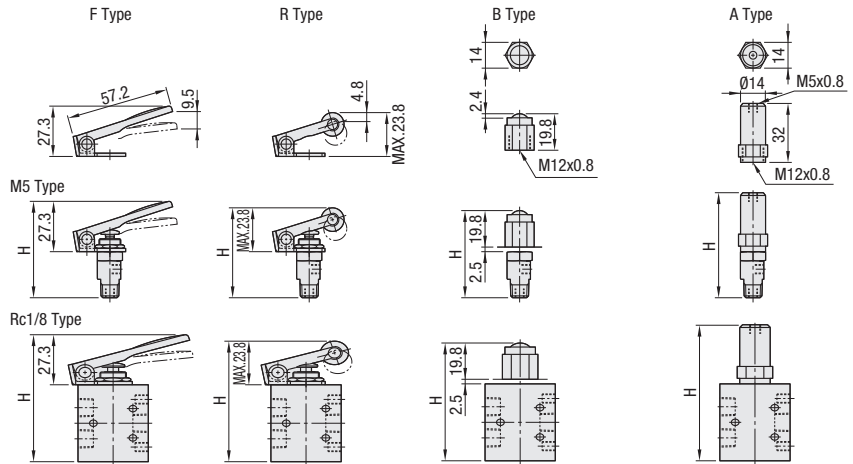
RoHS10

**MSHRM** (M5 Connection Type)  
**MSHBM** (Rc1/8 Connection Type)

#### Valve



#### Actuator



⊕ For Type B, set approx. 2.5mm clearance between an actuator and a valve. ⊕ Button operation is momentary (spring return).  
Ⓜ Material: Body: Brass (Surface Treatment: Electroless Nickel Plating), Push Button: SUS303

Part Number Type	No.	Actuator	Direction	Number of Ports	Pipe Connection Bore Dia.			Number of Positions	Effective Sectional Area (mm <sup>2</sup> )	H				Unit Price			
					IN	OUT	EX			Type F	Type R	Type B	Type A	Type F	Type R	Type B	Type A
MSHRM	3	F (Manual Operation Type)	3	3	M5	1.5	2	1.8	52.3	48.8	47.3	57					
	4	R (Roller Type)	4	5					62.2	58.7	57.2	67					
MSHBM	3	B (Ball Type)	3	3	Rc1/8	M5	2	4.5	60.8	57.3	55.8	65.5					
	4	A (Air Pilot Type)	4	5					69.3	65.8	64.3	74					

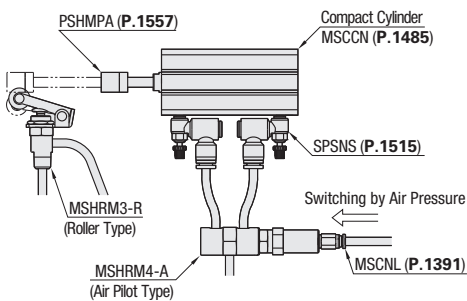


Ordering Example  
Part Number - Actuator  
MSHRM4 - F  
MSHBM4 - A

Applicable Fluid	Air
Operating Pressure Range	0-0.9MPa
Operating Temp. Range	5-60°C (No Freezing)



Example



Various actuators can be mounted on these small user-friendly switching valves, which allows selection of various switching methods.

Actuator	F Type	R Type	B Type	A Type
Structure				
Weight	20g	15g	15g	28g
Operating Force	MSHRM 3N MSHBM 7N	4N 11N	10N 23N	0.3MPa 0.3MPa
Features	Can be operated easily by finger force.	Switching is activated by detecting a force in on direction.	Switching is operated by detecting 360° moving of the ball.	Switching is operated by detecting the compressed air on the pilot.

⊕ The actuator and the valve will be shipped unassembled.