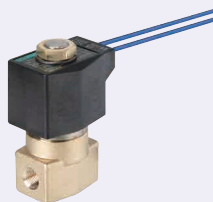
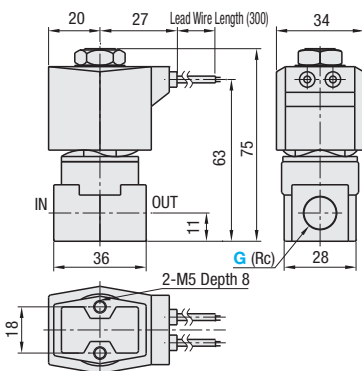


### Multilex Valves

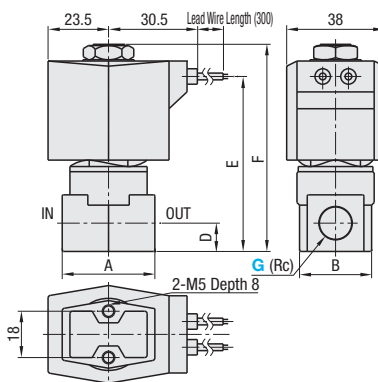


No.	G (Rc)	A	B	D	E	F
4	2	36	28	11	68	80.5
	3	40	28	12	71	83.5

### MMRBC3



### MMRBC4



Part Number	G (Rc)	Rated Voltage (V)	Orifice Dia. (mm)	Max. Operating Pressure Differential (Mpa)			Max. Operating Pressure (MPa)	Flow Rate Characteristics			Consumption Current (W)	Apparent Power				Mass (kg)	Unit Price
				Air	Water, Warm Water, Kerosene	Oil (50mm <sup>2</sup> /S)		C*	b	Cv		AC 50/60Hz	Holding 50Hz	Starting 60Hz	50Hz		
MMRBC	3	1 (Rc1/8)	3.0	1.0	0.7	0.5	5	1.1	0.52	0.31	5.2/3.8	12	10	17	14	0.35	
		2 (Rc1/4)										B (100VAC)	18	15	29		
	4	2 (Rc1/4)	4.0	1.0	0.7	0.5		2.10	0.48	0.54	6.7/5.7	18	15	29	24	0.43	
		3 (Rc3/8)										C (200VAC)					0.45

Normally closed.

\*C=[dm<sup>3</sup>/(s·bar)]

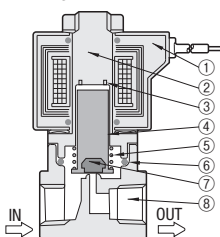
Features: Universal Multilex Valves for various fluids such as air, water and oil, etc.



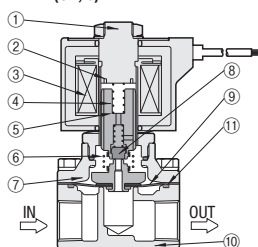
Ordering Example: Part Number - G (Rc) - Rated Voltage (V)  
**MMRBC3 - 2 - B**



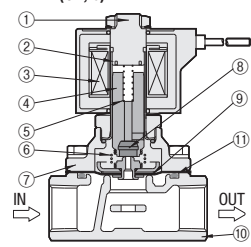
### MMRBC



### MDPN(G2, 3)



### MDPN(G4, 6)



### Component List

Part Number	Name	Material	Part Number	Name	Material
①	Coil	-	⑤	Plunger Spring	SUS304
②	Core Assembly	SUS405 Equivalent	⑥	O-Ring	NBR
③	Shading Coil	Cu	⑦	Seal	NBR
④	Plunger	SUS405 Equivalent	⑧	Main Body	C3771

### Component List

Part Number	Name	Material	Part Number	Name	Material
①	Core Assembly	SUS405 Equivalent / SUS316L / SUS403	⑦	Stuffing	C3771
②	Shading Coil	Cu	⑧	Seal	NBR
③	Coil	-	⑨	Diaphragm Assembly	SUS303, 304, NBR
④	Plunger Assembly	SUS405 Equivalent / SUS304 * / NBR	⑩	Main Body	CAC407
⑤	Plunger Spring	SUS304	⑪	O-Ring	NBR
⑥	Kick Spring	SUS304			

\* For Connection Diameter Rc 1/2, 3/4, SUS304 is not available.

### Specifications

Part Number	MMRBC	MDPN
Applicable Fluid	Air / Vacuum [(1.33x10 <sup>3</sup> Pa(abs)], Water, Kerosene, Oil (50mm <sup>2</sup> , S or Less)	
Operating Pressure Difference Range (MPa)	0 ~ 5 (Size Dependent)	0 ~ 1.0 (Size Dependent)
Max. Operating Pressure (MPa)	-	2
Pressure Resistance (MPa)	25 (w/Water)	4 (w/Water)
Fluid Temp. (°C)	-10 ~ 60 (Non-Freezing)	-10 ~ 60
Ambient Temperature (°C)	-20~60	-10~60
Heat Resistant Class	B	
Atmosphere	No Corrosive or Explosive Gases in Surroundings	
Valve Structure	Direct Poppet Design	Pilot Poppet Design Diaphragm Drive
Valve Seat Leak (cm <sup>3</sup> /min) (ANR)	0.2 or Less (w/Air)	1 or Less (w/Air)
Mounting Orientation	Flexible	
Material (Body, Seal)	Brass, Nitrile Rubber	