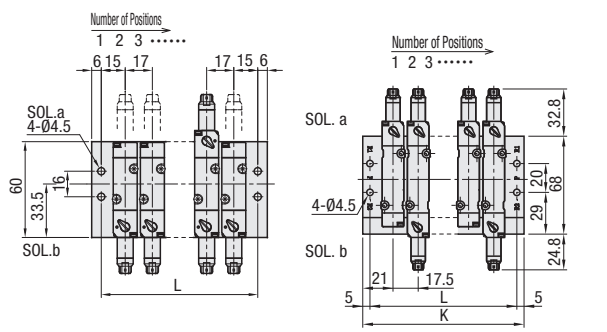
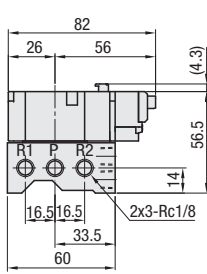


MSSY (Base for M5 Type + Solenoid Valve) **MSMY** (Base for Rc1/8 Type + Solenoid Valve)
MSSYB (Base for M5 Type) **MSMYB** (Base for Rc1/8 Type)

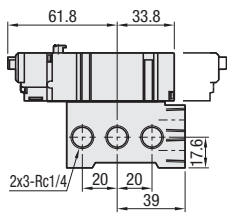
• Arrangement and Selecting Order of Solenoid Valve Installation
• M5 Type **• Rc1/8 Type**



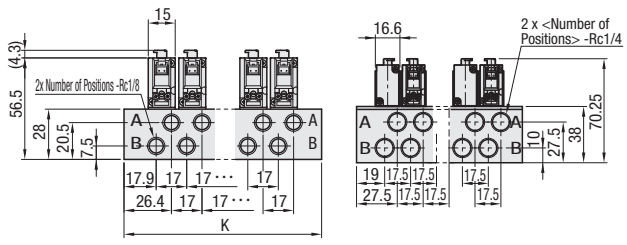
• M5 Type



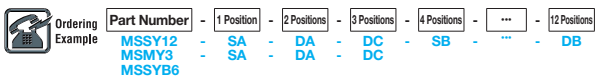
• Rc1/8 Type



⚠ The solenoid valves of M5 Type are located on the opposite of those of Rc1/8 Type.

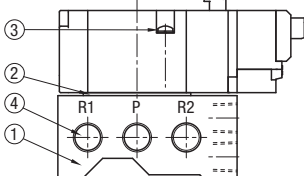


Part Number	Specify only for Base + Solenoid Valve Type		M5 Type			Rc1/8 Type			Solenoid Valve Mass (g)	M5 Type		Rc1/8 Type	
	1 ~ 12 Position	Solenoid Valve Type	L	K	Base Mass (g)	L	K	Base Mass (g)		Base Unit Price	Additional Price for Solenoid Valve	Base Unit Price	Additional Price for Solenoid Valve
Type	Number of Positions								S (Single)	D (Double)	S (Single)	D (Double)	
(Base + Solenoid Valve Type) MSSY (M5) MSMY (Rc1/8)	1	S (Single) D (Double)	A (24VDC) B (100VAC) C (200VAC)	30	42	140	32	42	217	(M5) Single 68 Double 80			
	2			47	59	203	49.5	59.5	303				
	3			64	76	266	67	77	387				
	4			81	93	329	84.5	94.5	474				
	5			98	110	392	102	112	558				
	6			115	127	455	119.5	129.5	640				
	7			132	144	518							
(Base only) MSSYB (M5) MSMYB (Rc1/8)	8			149	161	581							
	9			166	178	644							
	10			183	195	707							
	11			200	212	770							
	12			217	229	833							



- For MSSY and MSMY, the base and the solenoid valve will be assembled before shipping.
- MSSYB and MSMYB are the base only, which are designed to be combined with the Base Plumbing Type of the solenoid valve on the left-hand page. (Assembly is required by the customer.)
- For the Basic Specifications, the Flow Rate Characteristics and the Cross Section Structure Diagram, see the left-hand page.

■ Configuration of Parts (MSSY, MSMY)



■ Parts Material Table

Part Number	Name	Material
①	Base	A6061
②	Gasket	NBR
③	Set Screw	SS400
④	Plug	Nickel Plating

