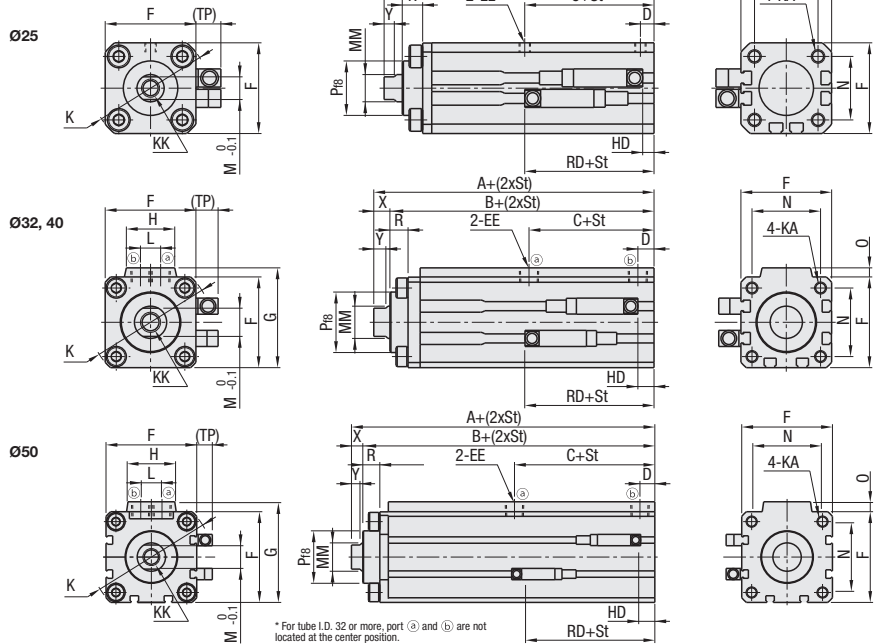


Rotary Clamp Cylinders

Rotary Clamp Cylinders



MKRCA



* For tube I.D. 32 or more, port (a) and (b) are not located at the center position.

Rotary Clamp Cylinder External Dimensions

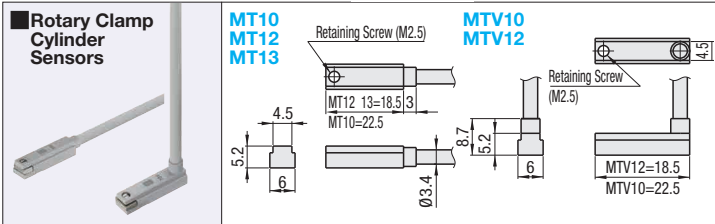
Tube I.D. (mm)	A	B	C	D	EE	F	G	H	K	KA	KK	L	M	MM	N	O	P	R	X	Y
25	57	49	26	6	M5x0.8	40	-	-	51	M6 Depth 11	M8 Depth 15	-	10	12	28	-	24	9	8	4.5
32	69	61	27	8	Rc1/8	45	49.5	24	60	M6 Depth 11	M10 Depth 15	10	14	16	34	4.5	30	9	8	6
40	70	62	29	8.5	Rc1/8	52	57	24	69	M6 Depth 11	M10 Depth 15	10	14	16	40	5	35	9	8	6
50	74	66	29	10.5	Rc1/4	64	71	33	86	M8 Depth 13	M12 Depth 15	15	17	20	50	7	37	12	8	6

For selections, be sure to check the "Specifications" and "Precautions" on P1497.

Part Number Type	Tube I.D. (mm)	St Stroke	Rotating Direction	Stroke on Rotating (mm)	Stroke on Clamping (mm)	Unit Price 1 ~ 4 pc(s).	Rotary Clamp Cylinder External Dimensions						
							Tube I.D. (mm)	MT12, 13/MTV12	HD	RD	TP	MT10/MTV10	HD
MKRCA	25	31	L (Counterclockwise Rotation)	11	20		25	6	25	0	5	26	0
	32	35	R (Clockwise Rotation)	15	20		32	9	28	0	8	29	0
	40	35		15	20		40	10	29	0	9	30	0
	50	70		20	50		50	11	30	0	10	31	0

Ordering Example: Part Number - St Stroke - Rotating Direction
 MKRCA25 - 31 - L

Rotary Clamp Cylinder Sensors



Part Number Type	L Selection	Load Voltage	Load Current	Sensor Type	Line	Wire Exit	Unit Price L1 (1m) L3 (3m)
MT10		12/24VDC 110VAC	5~50mA(DC) 7~20mA(AC)	Contact	2	Rear	
MT12		10~30VDC	*5~20mA	No Contact	2		
MT13	L1 (1m) L3 (3m)	30VDC or Less	100Am or Less	No Contact	3		
MTV10		12/24VDC 110VAC	5~50mA(DC) 7~20mA(AC)	Contact	2	Top	
MTV12		10~30VDC	*5~20mA	No Contact	2		

The values of the maximum load current 20mA is for 25°C. When used in ambient temperature 25°C or higher, load current is lower than 20mA. (5 ~ 10mA when 60 °C)

The sensor used for this rotary clamp cylinder is applicable only for rotary clamp cylinders. It cannot be used for compact type, pen type or guide type cylinders.

Ordering Example: Part Number MT10L1

Rotary Clamp Cylinder Sensors Specifications

Item	Contact Point 2 Wire Type		No Contact Point 2 Wire Type		No Contact Point 3 Wire Type	
	MT10, MTV10	MT12, MTV12	MT10, MTV10	MT12, MTV12	MT13	MT13
Application	For PLC and Relays	For Controller (Dedicated)	For PLC and Relays	For Controller (Dedicated)	For PLC and Relays	For Controller (Dedicated)
Output Method					NPN Output	
Power Supply Voltage					10~28VDC	
Load Voltage	12/24VDC	110VAC	10~30VDC		30VDC or Less	
Load Current	5~50mA	7~20mA	*5~20mA		100mA or Less	
Consumption Current					24VDC, 10mA or lower	
Insulation Resistance	3V or Less		4V or Less		0.5V or Less	
Lamp	LED (Lights when ON)					
Leakage Current	0mA	1mA or Less	10µA or Less			
Lead Wire Length	1m (Oil Resistant Vinyl Cab Tire Cord 0.2mm ²)					
Max. Impact	294m/s ²		980m/s ²			
Insulation Resistance	20mΩ or more with 500VDC high resistance meter					
Detector Strength Voltage	No anomaly to be recognized after application of 1000VAC for 1 minute.					
Ambient Temperature	-10 ~ +60°C					
Protection Structure	IEC Standards IP67 JIS C0920 (Water-resistant) Oil-proof					
Mass	1m:20g 3m:50g					
Circuit						