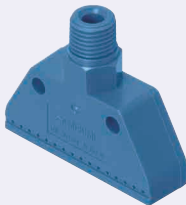


90° Air Nozzle

Standard / Compact

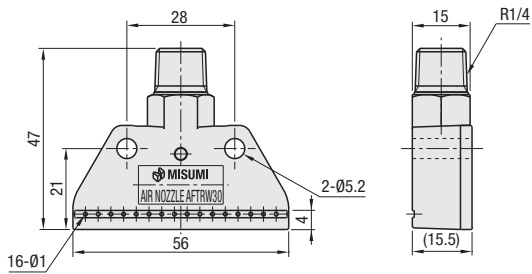
Air blow videos are now on the web! ▶ [MISUMI Nozzles Videos](#) [Search](#) <http://jp.misumi-ec.com/>

Standard



RoHS 10

Type	Material	Max. Operating Pressure	Breakdown Torque	Heat Resistance Temp.
AFTRW	ABS Plastic	0.7MPa	7N·m	70°C



Features


Suitable for limited space. Easy to mount since air projection angle is vertical to the thread face.

- To prevent damage
 - Avoid excessive tightening of screw.
 - Avoid shocks to the screws.

Part Number	Orifice	Air Flow Rate N L/min (for 0.3MPa)	Weight (g)	Unit Price	Volume Discount Rate	Part Number	
Type	No.			1 - 4 pc(s).	5 - 39	40 - 99	100 - 200
AFTRW	30	16-01	210	15			

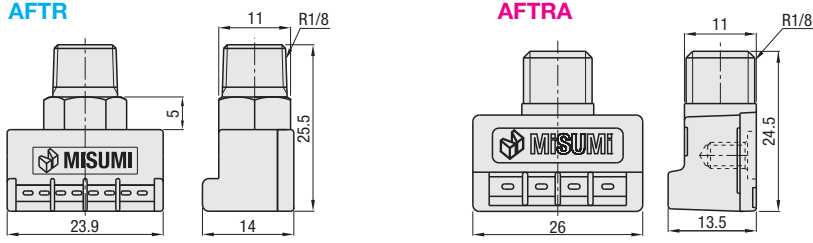
For orders larger than indicated quantity, please check with WOS.

Compact



RoHS 10

Type	Material	Surface Treatment	Max. Operating Pressure	Heat Resistance Temp.
AFTR	ABS Plastic	-	0.7MPa	70°C
AFTRA	ADC12	Electroless Nickel Plating	0.7MPa	200°C



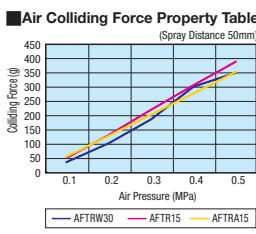
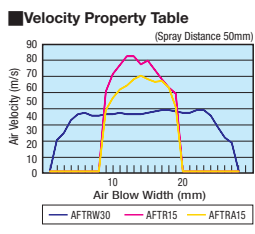
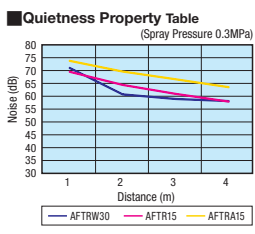
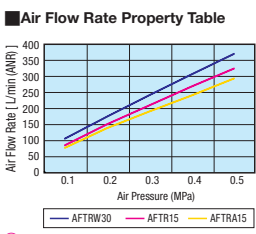
Features

Air Nozzles are more compact than Standard Type. (Width: Approx. 60%, Overall Length: Approx. 45% more compact)

- To prevent damage
 - Avoid excessive tightening of screws.
 - Avoid shocks to the screws.

Part Number	Orifice	Air Flow Rate NL/min (for 0.3MPa)	Weight (g)	AFTR			AFTRA			Part Number	
				Unit Price	Volume Discount Rate	Unit Price	Volume Discount Rate				
Type	No.			1 - 4 pc(s).	5 - 39	40 - 99	100 - 200	1 - 4 pc(s).	5 - 9	10 - 19	20 - 30
AFTR	15	8-00.6x1.5	210	4							
AFTRA		4-00.8x1.8	190	10							

For orders larger than indicated quantity, please check with WOS.



Values on the graph are for reference, not guaranteed.

