
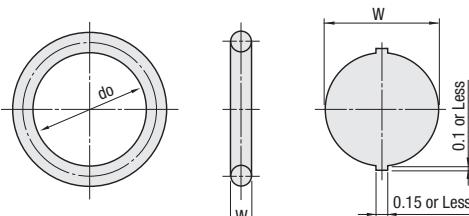


O-Rings

V Series / AS Series



Type	Material	Hardness (JIS H)	Color	Operable Temperature Range	JIS Symbol	Applications
NVA	Nitrile Rubber	70±5	Black	-30~100°C	Class 1 A	Mineral Oil Resistant
NVF	Fluoro Rubber	70±5	Black	-15~200°C	Class 4 D	Heat Resistant
NASA	Nitrile Rubber	70±5	Black	-30~100°C	-	Mineral Oil Resistant
NASF	Fluoro Rubber	70±5	Black	-15~200°C	-	Heat Resistant



RoHS 10

JIS B 2401 V Series (For Vacuum Flanges)

Part Number		JIS Nominal Number	W	I.D.			NVA		NVF	
Type	No.			do	NVA Tolerance	NVF Tolerance	Unit Price	Volume Discount Rate	Unit Price	Volume Discount Rate
						1~49	50~100	1~49 pc (s).	50~100	
NVA (Nitrile Rubber, Black)	15	V15	4.0±0.1	14.5	±0.20	±0.24				
	24	V24		23.5	±0.24	±0.29				
	34	V34		33.5	±0.33	±0.40				
	40	V40		39.5	±0.37	±0.45				
	55	V55		54.5	±0.49	±0.59				
NVF (Fluoro Rubber, Black)	70	V70		69.0	±0.61	±0.74				
	85	V85		84.0	±0.72	±0.87				
	100	V100		99.0	±0.83	±1.00				
	120	V120		119.0	±0.97	±1.17				
	150	V150		148.5	±1.18	±1.42				
	175	V175		173.0	±1.36	±1.63				

AS568 AS Series

Part Number		W	I.D.		NASA		NASF				
Type	No.		do	Tolerance	Unit Price	Volume Discount Rate	Unit Price	Volume Discount Rate			
						1 ~ 49 pc (s).	50~100	1 ~ 49 pc (s).	50~100		
NASA (Nitrile Rubber, Black)	001	1.02±0.07	0.74	±0.10							
	002	1.27±0.07	1.07								
	003	1.52±0.07	1.42								
	004		1.78								
	005		2.57								
	006		2.90								
	007		3.68								
	008		4.47								
	009		5.28								
	010		6.07								
	NASF (Fluoro Rubber, Black)	011	1.78±0.07	7.65	±0.12						
		012		9.25							
		013		10.82							
		014		12.42							
		015		14.00							
		016		15.60							
		017		17.17							
		018		18.77							
		019		20.35							
		020		21.95							
		021		23.52							
		022		25.12							
		023		26.70							
		024		28.30		±0.15					
		025		29.87							
		026		31.47							
		027		33.05							
		028		34.65							
		029		37.82							
		030		41.00			±0.25				

Ordering Example: Part Number NASA001