
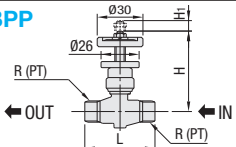

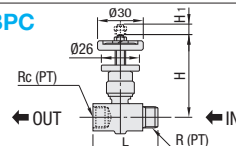

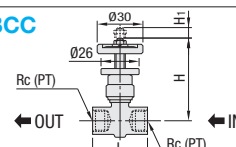


Needle Valves

<p>Male Both Ends</p>  <p>Material: Brass, Surface Treatment: Chrome Plating</p>	<p>NBPP</p> 
<p>Male Thread / Female Thread</p>  <p>Material: Brass, Surface Treatment: Chrome Plating</p>	<p>NBPC</p> 
<p>Female Both Ends</p>  <p>Material: Brass, Surface Treatment: Chrome Plating</p>	<p>NBCC</p> 

Part Number Type	No.	R (PT)	L	H	H1	Unit Price	Volume Discount Rate
NBPP	11	1/8	46	48	7	1 ~ 4 pc(s).	5~30
	22	1/4	46				
	33	3/8	50				

For orders larger than indicated quantity, please check with WOS.

Part Number Type	No.	R (PT)	Rc (PT)	L	H	H1	Unit Price	Volume Discount Rate
NBPC	11	1/8	1/8	38	46	5	1 ~ 4 pc(s).	5~30
	22	1/4	1/4	42	48	7		
	33	3/8	3/8	45	48	7		

For orders larger than indicated quantity, please check with WOS.

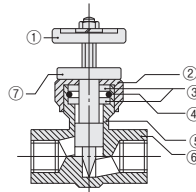
Part Number Type	No.	Rc (PT)	L	H	H1	Unit Price	Volume Discount Rate
NBCC	11	1/8	32	46	5	1 ~ 4 pc(s).	5~30
	22	1/4	36	48	7		
	33	3/8	40	48	7		

For orders larger than indicated quantity, please check with WOS.

Specifications


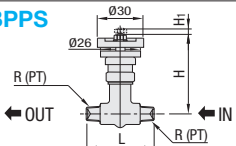

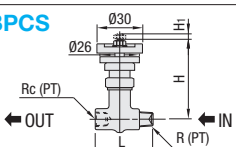

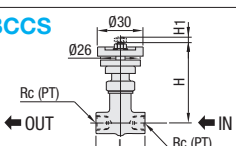
Applicable Fluids	Water, Air, Oil
Operating Temperature Range	-10 ~ 80°C (No Freezing)
Max. Operating Pressure	0.98MPa

Parts and Materials for Needle Valves



Part No.	Part Name	Material	Qty.	Processing
①	Handle	C3604BD	1	Chrome Plating
②	Gland Nut	C3604BD	1	Chrome Plating
③	Ring	C2801P	2	-
④	O-Ring	NBR	1	-
⑤	Spindle	C3604BD	1	Chrome Plating
⑥	Body	C3771BD	1	Chrome Plating
⑦	Lock Nut	C3604BD	1	Chrome Plating

Maximum thickness is 5mm for Mounting Panel of Stainless Steel Needle Valve.

<p>Stainless Steel - Male Both Ends</p>  <p>Material: SUS304</p>	<p>NBPPS</p> 
<p>Stainless Steel - Male Thread / Female Thread</p>  <p>Material: SUS304</p>	<p>NBPCS</p> 
<p>Stainless Steel - Female Both Ends</p>  <p>Material: SUS304</p>	<p>NBCCS</p> 

Part Number Type	No.	R (PT)	L	H	H1	Unit Price	Volume Discount Rate
NBPPS	11	1/8	44	55.5	5.5	1 ~ 4 pc(s).	5~30
	22	1/4	48	53	5.5		
	33	3/8	54	53	5.5		

For orders larger than indicated quantity, please check with WOS.

Part Number Type	No.	R (PT)	Rc (PT)	L	H	H1	Unit Price	Volume Discount Rate
NBPCS	11	1/8	1/8	38	55.5	5.5	1 ~ 4 pc(s).	5~30
	22	1/4	1/4	42	53	5.5		
	33	3/8	3/8	47	53	5.5		

For orders larger than indicated quantity, please check with WOS.

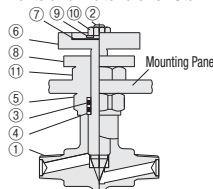
Part Number Type	No.	Rc (PT)	L	H	H1	Unit Price	Volume Discount Rate
NBCCS	11	1/8	32	55.5	5.5	1 ~ 4 pc(s).	5~30
	22	1/4	36	53	5.5		
	33	3/8	40	53	5.5		

For orders larger than indicated quantity, please check with WOS.

Specifications

Applicable Fluids	Oil, Air, Water, Chemicals
Operating Temperature Range	-20 ~ 150°C (No Freezing)
Max. Operating Pressure	0.98MPa
Recommended Panel Hole Dia.	Ø14

Parts and Materials for Stainless Steel Needle Valves



Part No.	Part Name	Material	Qty.	Processing
①	Body	SUS304	1	-
②	Spindle	SUS304	1	-
③	O-Ring	PTFE	2	-
④	Ring	SUS304	3	-
⑤	Gland Nut	SUS303	1	-
⑥	Handle	C3604	1	Chrome Plating
⑦	Label	A1050P	1	-
⑧	Lock Nut	C3604	1	Chrome Plating
⑨	Washer	SUS304	1	-
⑩	Hex Nut	SUS304	1	-
⑪	Lock Nut for Panel	C3604	1	Chrome Plating

Ordering Example
Part Number
NBPP22
NBPPS33

Features of Needle Valves

- Suited for fine adjustment of flow rate of water, oil or air.
- The body and the needle are chrome plated to improve air tightness, damage-proofing and smooth operation.
- The spindle is provided with a lock nut to prevent loosening due to vibration.