
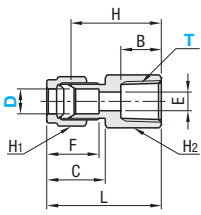


# Stainless Steel Pipe Fittings

For tightening procedure and structure of fittings, and applicable pipe specification, refer to P.1300.

**Stainless Steel Pipe Fittings**  
Female Threaded Union

**SKUF**


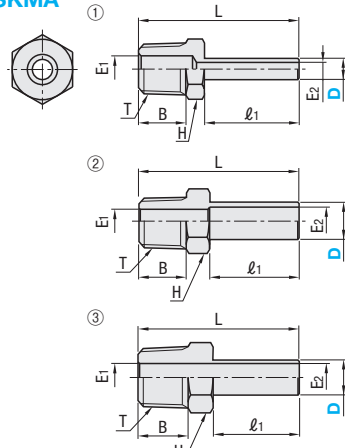



RoHS10 Includes ferrules (see SKFPK) Material: SUS316

Part Number	Type	D	R (PT)	T	L	B	C	F	E	H	Square Nut H	Unit Price	Volume Discount Rate	
			T Selection	Rc (PT)										
SKUF	4	4	1	1/8	34.8	11	17.8	15.3	3.5	27.5	14	14		
			2	1/4	35.8	13	17.8	15.3	3.5	28.5	14	17		
	6	6	1	1/8	34.9	11	17.9	15.4	5	27.5	14	14		
			2	1/4	35.9	13	17.9	15.4	5	28.5	14	17		
	8	8	3	3/8	37.9	14	17.9	15.4	5	30.5	14	22		
			2	1/4	36.8	13	18.8	16.8	6	29	15.87	17		
	10	10	3	3/8	38.8	14	18.8	16.8	6	31	15.87	22		
			2	1/4	37.8	13	19.8	17.8	8	30	19	17		
	12	12	3	3/8	39.8	14	19.8	17.8	8	32	19	22		
			3	3/8	42.8	14	22.8	22.8	10	32	23	22		

**Stainless Steel Pipe Fittings**  
Male Threaded Adapters

**SKMA**


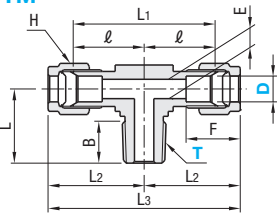



RoHS10 Material: SUS316

Part Number	Type	D	R (PT)	T	L	E1	E2	B	l1	H	Unit Price	Volume Discount Rate
			T Selection	Drawing								
SKMA	4	4	1	①	1/8	30.5	5	2.5	9	18	10	
			1	①	1/8	34	5	3	10	19	12	
	6	6	2	①	1/4	39	6	3	13	19	14	
			1	②	1/8	34	5	6	10	19	12	
	8	8	2	③	1/4	39	6	6	13	19	14	
			3	①	3/8	40	8	6	14	19	17	
	10	10	2	②	1/4	44	6	8	13	24	14	
			3	③	3/8	45	8	8	14	24	17	
	12	12	3	②	3/8	49	9	10	14	28	17	

**Stainless Steel Pipe Fittings**  
Branch Tee Union

**SKUTM**


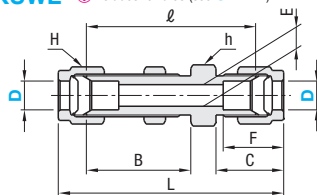



RoHS10 Includes ferrules (see SKFPK) Material: SUS316

Part Number	Type	D	R (PT)	T	L	L1	L2	L3	l	B	F	E	H	Unit Price	Volume Discount Rate
			T Selection	R (PT)											
SKUTM	4	4	1	1/8	21	41	27.8	55.6	20.5	11	15.3	3.5	14		
			1	1/8	21	41	27.9	55.8	20.5	11	15.4	5	14		
	6	6	2	1/4	23	43	28.9	57.8	21.5	13	16.8	5	14		
			1	1/8	22	44	29.8	59.6	22	11	16.8	5	15.87		
	8	8	2	1/4	24	44	29.8	59.6	22	13	16.8	6	15.87		
			1	1/8	22	44	29.8	59.6	22	11	16.8	5	15.87		
	10	10	2	1/4	25	46	30.8	61.6	23	13	17.8	7	19		
			1	1/8	22	44	29.8	59.6	22	11	16.8	5	15.87		
	12	12	3	3/8	30	55	38.3	76.6	27.5	14	22.8	9	23		

**Stainless Steel Pipe Fittings**  
Union for Partition

**SKUWE**


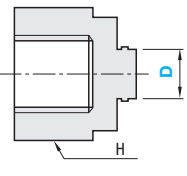
RoHS10 Includes ferrules (see SKFPK) Material: SUS316

The male thread at the partition has a special structure with undisclosed dimensions.

Part Number	Type	D	L	B	C	F	E	h	H	l	Installation Hole Dia.	Max. Plate Thickness for Installation	Unit Price	Volume Discount Rate
SKUWE	4	4	59.6	28	17.8	15.3	3.5	17	14	45	11.5	13		
			59.8	28	17.9	15.4	5	17	14	45	11.5	13		
	6	6	62.6	29	18.8	16.8	6	17	15.87	47	13.2	13.5		
			64.6	30	19.8	17.8	8	22	19	49	16.2	14.5		
	10	10	73.6	32	22.8	22.8	10	26	23	52	19.5	16		

**Stainless Steel Pipe Fittings**  
Plugs

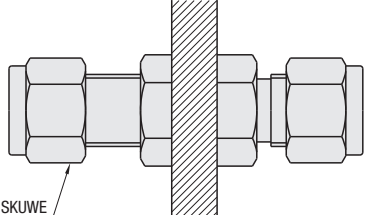
**SKPGK**

RoHS10 Select the same D dimension as that of stainless steel pipe fittings. Material: SUS316

Part Number	Type	D	Square Nut H	Unit Price	Volume Discount Rate
SKPGK		3.18 (1/8 inch)	12		
		4	14		
		6	14		
		6.35 (1/4 inch)	14		
		8	15.87		
		9.53 (3/8 inch)	19		
		10	19		
		12	23		
		12.7 (1/2 inch)	23		

**ex** Example



SKUWE

Ordering Example

Part Number - T  
SKUF4 - 2  
SKUWE