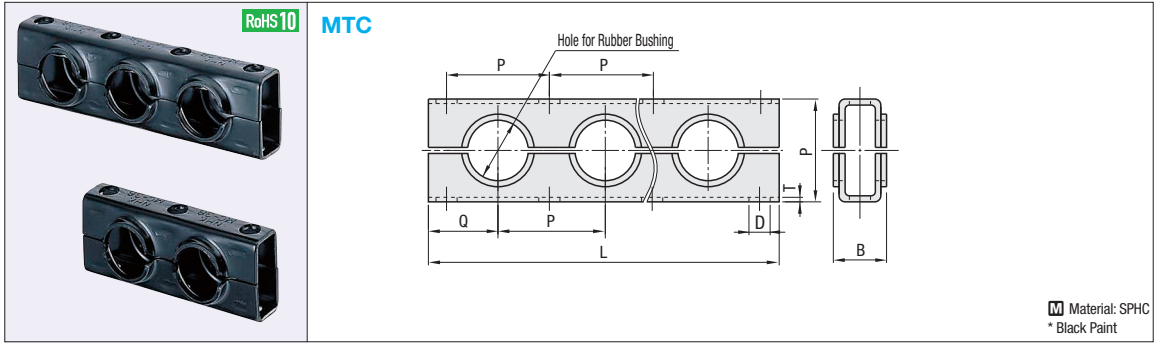


Multi Plumbing Clamps



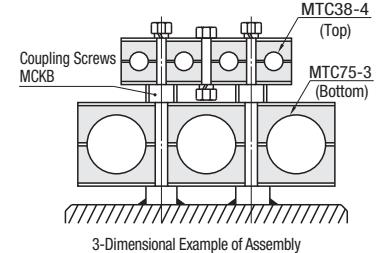
Material: SPHC
* Black Paint

Part Number Type	N (Number of Holes) Selection	L	P	Q	B	D	T	Recommended Assembly Bolt (Coarse)		Unit Price 1 ~ 9 pc(s)	Volume Discount Rate 10~50
								One Stack	Two Stacks		
MTC	38	1	55	37.5	27.5	26	9	2.3	M8-50	M8-90	
		2	92.5								
		3	130								
		4	167.5								
		5	205								
	50	1	70	50	35	26	9	2.3	M8-65	M8-115	
		2	120								
		3	170								
		4	220								
		5	270								
	75	1	100	75	50	38	11	3.2	M10-90	M10-170	
		2	175								
		3	250								
		4	325								
		5	400								
100	1	130	100	65	42	11	4	M10-120	-		
	2	230									

The Number of Possible Combinations

	Top	38	50	75	100
Bottom					
38		○	×	×	×
(MCKB)		38-8			
50		×	○	×	×
(MCKB)			50-8		
75		○	○	○	×
(MCKB)		75-8	75-8	75-10	
100		×	○	×	○
(MCKB)			100-8		100-10

L dimension of recommended bolts for assembling are for using weld-on adapters (MCWA) P.1290. Please be sure to confirm the length for each assembling method before use.



* Enable to assemble with recommended hex screws for assembling (2 Stacks).
○ : Enable to assemble using coupling screws (MCKB).
× : Assembling is not possible.

Ordering Example

Part Number - N (Number of Holes)
MTC50 - 4

ex Example

