

Rotating Latches / Latches for Airtight Seals / Barrel Slide Bolt Latches / Slide Bar Latches

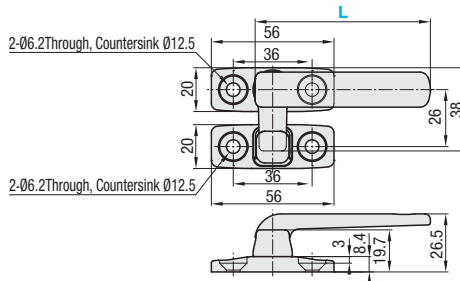
Rotating Latches

RoHS10

LCR
LCL



The photo is for right-hand use.



The figure is for right-hand use.

Material Surface Treatment
SUS304 Equivalent Buffing

Part Number Type	L	Mass (g)	Unit Price
LCL (For Left-hand Use)	100	130	

Ordering Example Part Number
LCR80

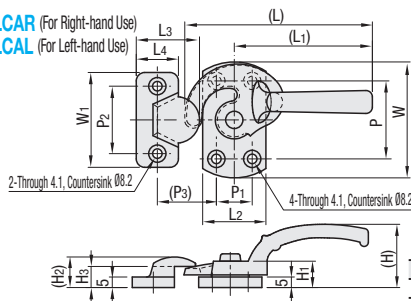
Latches for Airtight Seals

RoHS10

LCAR (For Right-hand Use)
LCAL (For Left-hand Use)



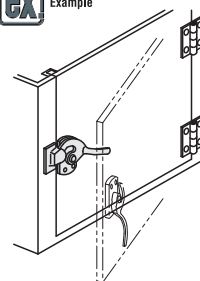
The photo is for left-hand use.



The figure is for right-hand use.

Material Surface Treatment
SUS304 Equivalent Buffing

ex Example



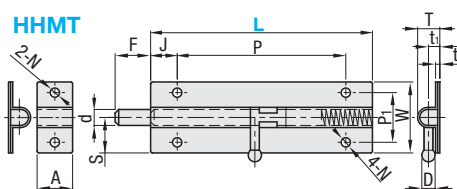
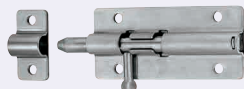
Part Number Type	No.	(L)	(L1)	L2	L3	L4	W	W1	(H)	H1	(H2)	H3	P	P1	P2	(P3)	Mass (g)	Unit Price
LCAL (For Left-hand Use)	16	113	85.5	30	30	20	60	45	40	13	14.5	10	40	20	32	28	194	
	20	125	98	32	31.5	23	65	50	40	14	17	11	43	22	35	30	210	
	25	140	109	40	35	24	80	50	46.5	14.5	18	13	52	25	34	34	290	
	30	170	127	45	40	28	90	52	50.8	16.8	19	14.5	70	34	40	43	450	

Ordering Example Part Number
LCAR16

Barrel Slide Bolt Latches

RoHS10

HHMT



Material: SUS304

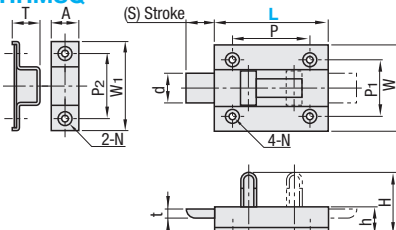
Part Number Type	L	W	P	P1	D	d	T	t	t1	A
	125	40	95	28	7.5	9	12	2.4	5.7	20
	180	60	140	40	10	13	16	3	8	25

Part Number Type	L	S	F	J	N	Mass (g)	Unit Price	Volume	Discount Rate
HHMT	90	20	20	15	5	128			
	125	20	20	15	5.2	167			
	180	30	25	20	6.2	451			

Slide Bar Latches

RoHS10

HHMSQ



Material: SUS304

Part Number Type	L	P	P1	P2	W	W1	d	(S)	A	T	t	H	h
	65	47	31	32	45	45	15	15	15	13.5	5	28	12.5

Part Number Type	L	N	Mass (g)	Unit Price	Volume	Discount Rate
HHMSQ	50	3.5	7	58		
	65	5	9	100		

Ordering Example Part Number
HHMT90
HHMSQ65