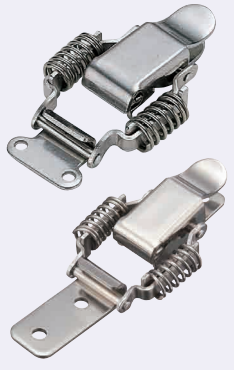
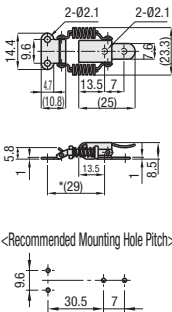


# Draw Latches

**Draw Latches** RoHS10

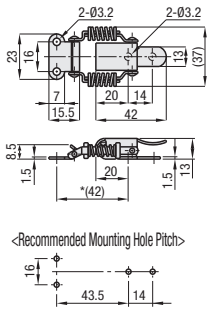


**PKBSA**



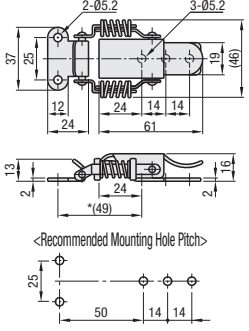
<Recommended Mounting Hole Pitch>

**PKBS1**



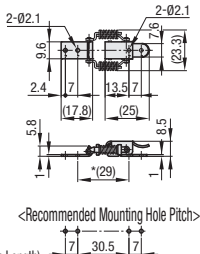
<Recommended Mounting Hole Pitch>

**PKBS2**



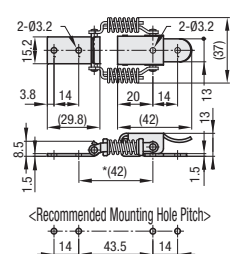
<Recommended Mounting Hole Pitch>

**PKBSLA**



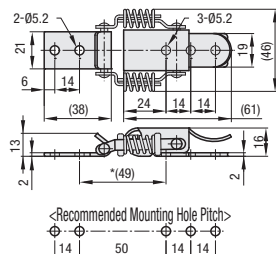
<Recommended Mounting Hole Pitch>

**PKBSL1**



<Recommended Mounting Hole Pitch>

**PKBSL2**



<Recommended Mounting Hole Pitch>


\* The dimensions in ( ) are for 0mm pull distance, (Free Length)  
Mounting dimensions can be adjusted optionally according to the tightening force.

Part Number	* Pull Force	PKBS	PKBSL	Unit Price	Volume Discount Rate	
Type	No.	N (kgf)	Mass (g)	1 ~ 9 pc (s)	10~19	20~200
PKBS	A	20(2)	10	10		
	1	68(7)	36	40		
PKBSL	2	170(17.4)	78	90		

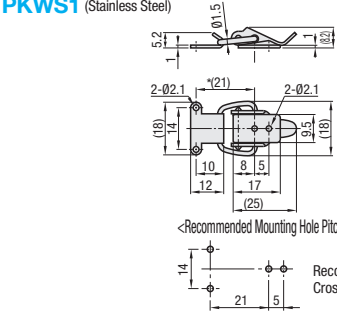
Ordering Example **Part Number**  
PKBS1  
PKBSL1

\* Pull force is the reference value for 1mm pull distance.

**Draw Latches** RoHS10

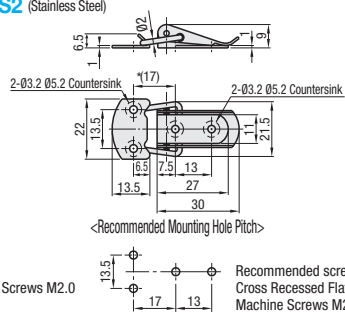


**PKWS1** (Stainless Steel)



<Recommended Mounting Hole Pitch>

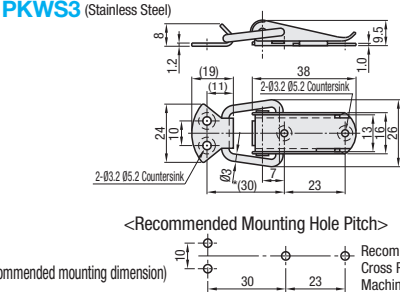
**PKWS2** (Stainless Steel)



<Recommended Mounting Hole Pitch>

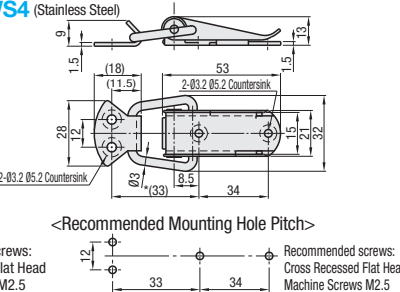
Recommended screws:  
Cross Recessed Pan Head Screws M2.0

**PKWS3** (Stainless Steel)



<Recommended Mounting Hole Pitch>

**PKWS4** (Stainless Steel)



<Recommended Mounting Hole Pitch>

Recommended screws:  
Cross Recessed Flat Head Machine Screws M2.5

\* The dimensions are for 0mm pull distance, (Recommended mounting dimension)

Part Number	* Pull Force	Mass	Unit Price	Volume Discount Rate	
Type	No.	N (kgf)	(g)	1 ~ 49 pc (s)	50~200
PKWS	1	49(5)	11		
	2	78(8)	12		
	3	98(10)	18		
	4	147(15)	37		

Ordering Example **Part Number**  
PKWS1

\* Pull force is the reference value for 1mm pull distance.