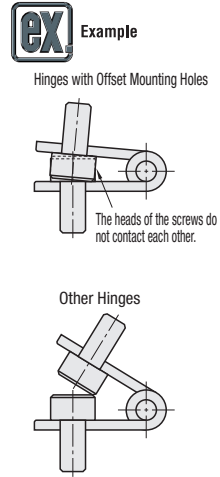
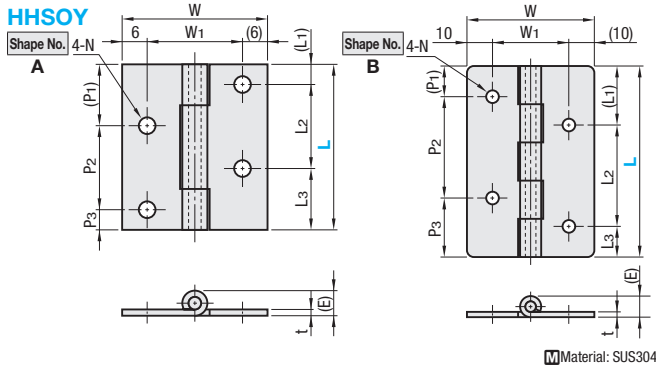
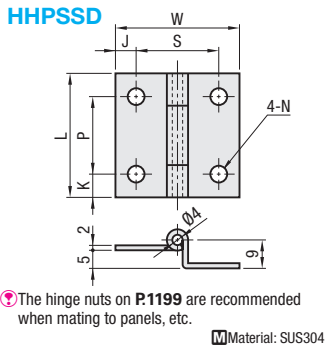


Hinges with Offset Mounting Holes / Stepped Stainless Steel Hinges / Spring Hinges



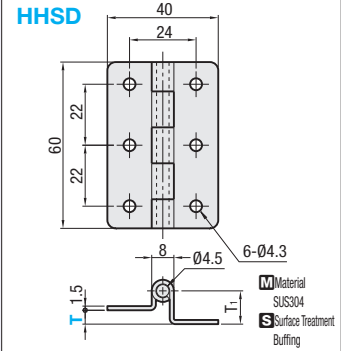
Part Number Type	L	Shape	L1	L2	L3	W	W1	P1	P2	P3	N	t	E	* Allowable Load (N)	Weight (g)	Unit Price 1 - 9 pc (s)	Volume Discount Rate 10-200
														58.8	21.6		
HHSOY	40	A	5	20	15	35	23	15	20	5	4.2	1.5	6.3	58.8	21.6		
	50	A	5.5	26	18.5	35	23	18.5	26	5.5	4.2	1.5	6.3	78.4	27.3		
	75	B	23	40	12	50	30	12	40	23	5	2	8.8	147	75.7		

*The allowable load is the value when 2 pieces are used.



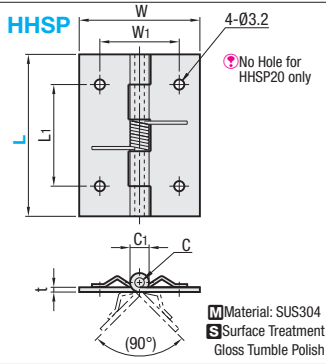
Part Number Type	No.	L	W	K	P	J	S	N	* Allowable Load (kg)	Weight (g)	Unit Price 1 - 19 pc (s)	Volume Discount Rate 20-200
									4.5	32		
HHPSSD	5	41	36	8	25	7.5	21	5.5	4.5	32		
	6	48	48	9	30	8	32	6.5	6	46		

*The allowable load is the value when 2 pieces are used.



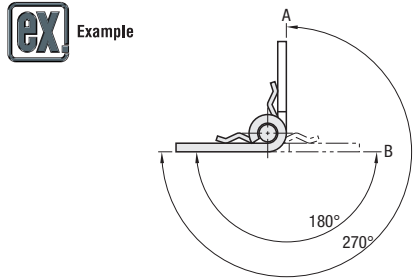
Part Number Type	T	T1	* Allowable Load (kg)	Weight (g)	Unit Price 1 - 19 pc (s)	Volume Discount Rate 20-100
HHSD	1.2	8.2	7	38		
	2.3	9.3		40		
	3.2	10		42		
	5	12				

*The allowable load is the value when 2 pieces are used.



Part Number Type	L	W	W1	L1	C	C1	t	* Allowable Load (kgf)	Torque (kgf-cm)	Weight (g)	Unit Price 1 - 39 pcs.	Volume Discount Rate 40-100 pcs.
								1	0.99	1.5		
HHSP	20	14	-	-	1	(2.2)	0.5	1	0.99	1.5		
	25	32	20	14	3	5.8	1.2	3	0.66	10		
	38	32	20	26	3	6.5	1.5	6	1.5	20		
	51	38	25	32	3	6.5	1.5	7	1.38	35		

*The allowable load is the value when 2 pieces are used.



Spring load is a value at (A) with the hinge plates folded at 270° as shown above.
 * Only for HHSP20, the value is measured at a 180° angle position (B).
 * Do not open the HHSP20 hinge plates beyond 180° (B). Small wire diameter spring may cause problems.