

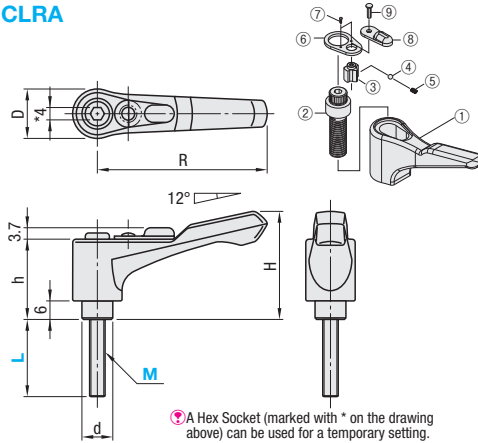
# Ratchet Clamp Levers / Quick Levers

## Ratchet Clamp Levers



RoHS10

## CLRA



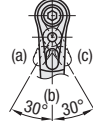
⚠ A Hex Socket (marked with \* on the drawing above) can be used for a temporary setting.



Example

In Use	Ratchet Operation
(a) Clamp	Clamps the screw by a right rotation of Levers. (Rotates free in left direction)
(b) Clamped Status	Lever is free in both directions.
(c) Unclamp	Loosens the screw by a left rotation of Levers. (Rotates free in right direction)

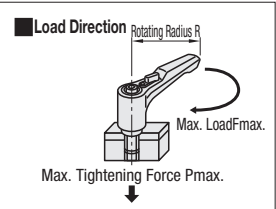
Direction of ratchet mechanism can be easily changed by switching the position of tab of the switch button.  
By setting the switch button to the (b) tab position after clamping, lever is released in both rotational directions and prevents accidental loosening.



	Material	Surface Treatment
① Lever	Zinc Die Casting	Electrostatic Paint
② Geared Screw	S45C	Black Oxide
③ Cam	SCM435	Black Oxide
④ Ball	SUJ2	Nickel Plating
⑤ Spring	SWPA	Tempered, Rustproof Coated
⑥ Cap	SPCC	Black Oxide
⑦ Screw	S10C	Black Oxide
⑧ Switch Handle	SPCC	Black Oxide
⑨ Screw	S10C	Black Oxide

Part Number Type	M	L Selection				Lever Color	R	H	h	D	d	Fmax. Max. Load (N)	Pmax. Max. Tightening Force (kN)	Reference Mass (g)	Unit Price
		5	16	25											
CLRA	5	16	25		B (Black)	55	35	26	17	10	108	4.8	61		
	6	20	32			68	45	33	18	14	184	6.8	63		
	8	25	40								316	12.5	101		
	10	32	50								507	19.8	112		

Ordering Example: Part Number - L - Lever Color  
CLRA 5 - 25 - B

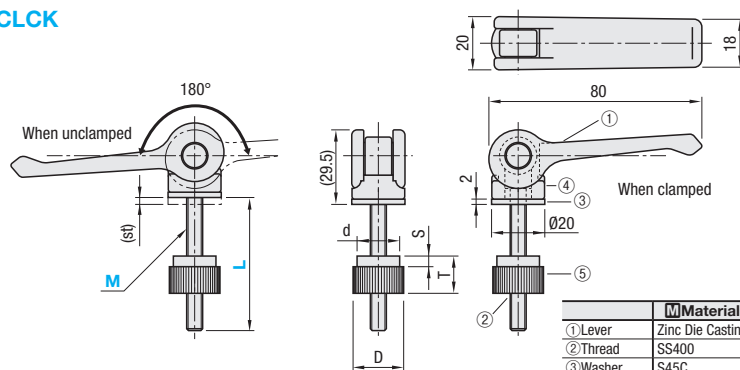


## Quick Levers



RoHS10

## CLCK



	Material	Surface Treatment
① Lever	Zinc Die Casting	Electrostatic Paint
② Thread	SS400	Electroless Nickel Plating
③ Washer	S45C	Electroless Nickel Plating
④ Thrust Washer	Polyamide (Black)	-
⑤ Clamp Knobs	S45C	Electroless Nickel Plating

Part Number Type	M	L Selection				Lever Color	(st)	D	d	T	S	Reference Mass (g)	Unit Price
		5	30	40									
CLCK	5	30	40		B (Black)	2.6	16	14	12	4	122		
	6	40	50			2.6	19	16	14	4	136		
	8	50	60			2.6	24	20	17	5	170		

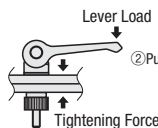
Tightening Force (N)	Lever Load (N)
1000	18
2000	36
3000	78

Ordering Example: Part Number - L - Lever Color  
CLCK 6 - 40 - B

EX Example: Quick Levers



① Decide on where to push down the lever toward and adjust torque with the clamp knob.



② Push down the lever to clamp.

### Tightening Force / Lever Load Correlation

