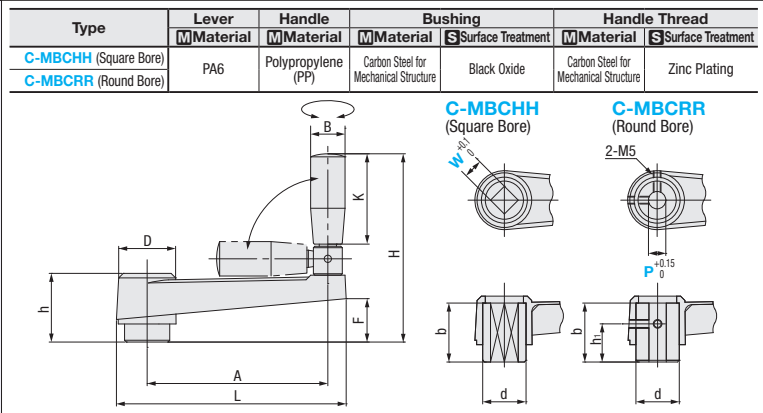


Revolving Crank Handles with Square / Round Bore



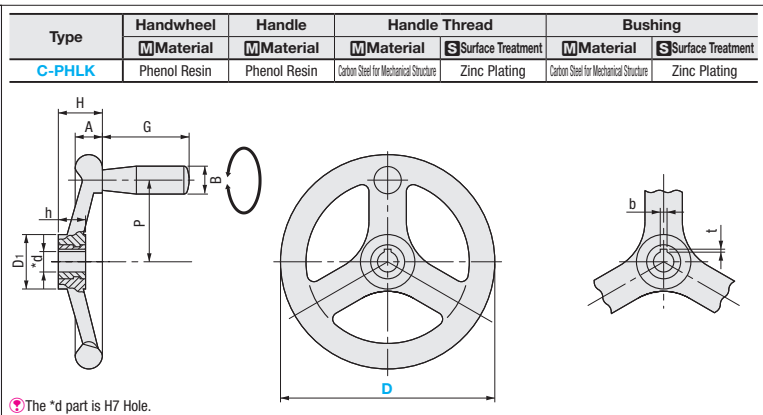
Part Number			L	A	H	h	D	K	F	B	b	d	h ₁	Reference Mass (g)	Unit Price
Type	W (Square Bore)	P (Round Bore)													
C-MBCHH (Square Bore)	12	-	127	100	104	38	34	50	24	19	34	25	-	200	
	14	-	156	125	131	46	40	63	30	23	42	30	-	320	
	17	-	195	160	157	55	44	80	36	26	50	34	-	530	
C-MBCRR (Round Bore)	-	12	127	100	104	38	34	50	24	19	34	25	6	200	
	-	14	156	125	131	46	40	63	30	23	42	30	6	320	
	-	16	195	160	157	55	44	80	36	26	50	34	8	530	



Ordering Example

Part Number
C-MBCHH12

Spoked Handwheel



Part Number		H	A	h	D ₁	d	P	B	G	b	t	Reference Mass (g)	Unit Price
Type	D												
C-PHLK	100	29	17	18	34	12	40	19	50	4	1.8	200	
	125	29	20	18	34	12	48	21	63	4	1.8	330	
	160	36.5	22.5	20	40	16	64	26	80	5	2.3	485	
	200	44	25	25	51	18	83	26	80	6	2.8	780	
	250	48.5	28	28	56.5	25	98	26	100	8	3.3	980	



Ordering Example

Part Number
C-PHLK100