
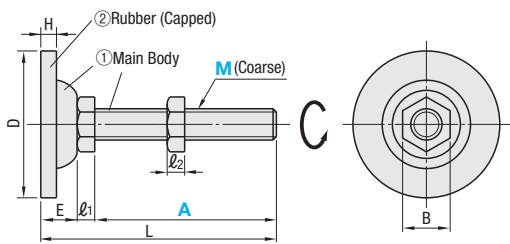


Leveling Mount

Non-Slip



Main Body	Type	① Main Body		② Rubber		M	D	ℓ ₁	ℓ ₂	E	B	H
		M Material	S Surface Treatment	M Material (Color)	H Hardness							
Steel Type	FJGN	SS400 Equivalent	Trivalent Chromate	Elastomer (Black)		8	45	5.5	6.5	15	13	6
	FJGM			Neoprene Rubber (Black)		10		7	8		17	6
	FJGM			Non-Migration Chloroprene Rubber (Gray)		12	8	10	23	19	7	
				Electrically Conductive Rubber (Black)		16	70	10	13	24	8	
PVC (Dark Blue)		20	13	16	25	30						
Stainless Steel	FJGNS	SUS304	Electrolytic Polishing	Elastomer (Black)		-						
	FJGMS			Neoprene Rubber (Black)								
				Non-Migration Chloroprene Rubber (Gray)								
				Electrically Conductive Rubber (Black)								



② Rubber (Capped)
① Main Body
M (Coarse)

① Electrically Conductive Rubber Specific Volume Resistivity $10^2 \sim 10^4 \Omega \cdot \text{cm}$
② Screw shaft turns independently of the base and tilts slightly.

Part Number		FJGM / FJGMS	L	Allowable Vertical Load (kN)	Mass (g)	Unit Price									
Type	M-A	Rubber Material				FJGN	FJGM				FJGNS	FJGMS			
						R	C	D	S		R	C	D		
FJGN FJGM FJGNS (Stainless Steel) FJGMS (Stainless Steel)	8- 50	R (Rubber) C (Non-migration Chloroprene Rubber) D (Electrically Conductive Rubber) S (PVC)	70.5	3.9	50				-						
	8-100		120.5		70				-						
	10- 75		97	4.3	91				-						
	10-100		122		103				-						
	12- 75		106	4.9	178				-						
	12-100*		131		196										
	12-125*		156		212										
	12-150		181		231				-						
	16- 75		110	5.9	301				-						
	16-100*		135		331										
	16-130*		165		370										
	16-150		185		397				-						
	16-180*		215		436										
	20-100*		138		6.8	473		-	-	-	-	-	-	-	-
	20-130*		168			533		-	-	-	-	-	-	-	-
	20-150		188			576		-	-	-	-	-	-	-	-
	20-180*		218	641			-	-	-	-	-	-	-	-	

* You cannot select the rubber material for FJGN and FJGNS. (Elastomer is used.) * PVC rubber applicable sizes

Ordering Example **Part Number** - **Rubber Material**
FJGM16 - 75 - **R**