
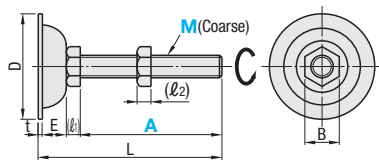


Leveling Mount

Standard



NFJN
NFJNS
NFJNF (Stainless Steel)



M	D	(l ₁)	(l ₂)	E	B	t
5	30	3.5	4	5.4	8	1.6
6		4	5		10	
8		5.5	6.5		13	
10	38	7	8	11	17	
12		8	10	18	19	
16	75	10	13	20	24	
20		13	16	30	30	

Type	M Material	S Surface Treatment
NFJN	SS400	Trivalent Chromate
NFJNF	Equivalent	Chromate
NFJNS	SUS304	Electrolytic Polishing

RoHS10 Screw shafts can turn independently of a base and can tilt 3 to 5 degrees.

A Selectable

Part Number Type	M-A	L	Allowable Vertical Load (kN)	Mass (g)	Unit Price	
			NFJN / NFJNS		NFJN	NFJNS
5 - 30	40.5	15	1.5	19		
5 - 60	70.5	19				
6 - 40	51	21		2.1	28	
6 - 80	91	28				
8 - 50	68.1	50	3.9	65		
8 - 100	118.1	65				
10 - 75	94.6	88	4.3	100		
10 - 100	119.6	100				
12 - 50	78	142		4.9	166	
12 - 75	103	166				
12 - 100	128	184				
12 - 125	153	200				
12 - 150	178	219				
16 - 75	107	287	5.9		317	
16 - 100	132	317				
16 - 130	162	356				
16 - 150	182	383				
16 - 180	212	422				
20 - 100	135	493		8.8	557	
20 - 130	165	557				
20 - 150	185	605				
20 - 180	215	671				

NFJN
(Stainless Steel)
NFJNS

A configurable in 10mm Increment

Part Number Type	M	A 10mm Increment	L	Unit Price
NFJNF	10	80~200	A+19.6	
	12	80~250	A+28	
	16	80~300	A+32	
	20	110~300	A+35	

Tips of screws are painted.

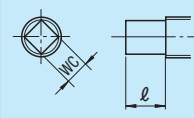
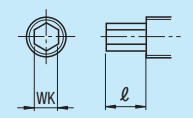
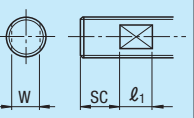
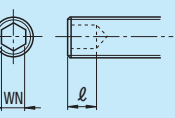
Ordering Example

Part Number	-	A
NFJN12-100	-	
NFJNF10	-	80

Alterations

Part Number	-	(WC, WK, SC, WN)
NFJN16-75	-	WC

For NFJN only. No plating on alteration-applied sections. For alterations for 31 or more pieces, please request a quotation.

Alterations	Square Flats	Hex Flats	Wrench Flats	Hex Wrench Socket Machining																																																											
																																																															
Code	WC	WK	SC	WN																																																											
Spec.	Ordering Code WC Applicable when 20 ≥ M ≥ 10 <table border="1"> <tr><th>M</th><th>WC</th><th>l</th></tr> <tr><td>10</td><td>6</td><td>10</td></tr> <tr><td>12</td><td>8</td><td>10</td></tr> <tr><td>16</td><td>10</td><td>12</td></tr> <tr><td>20</td><td>12</td><td>13.5</td></tr> </table>	M	WC	l	10	6	10	12	8	10	16	10	12	20	12	13.5	Ordering Code WK Applicable when 20 ≥ M ≥ 10 <table border="1"> <tr><th>M</th><th>WK</th><th>l</th></tr> <tr><td>10</td><td>6</td><td rowspan="5">10</td></tr> <tr><td>12</td><td>8</td></tr> <tr><td>16</td><td>10</td></tr> <tr><td>20</td><td>13</td></tr> </table>	M	WK	l	10	6	10	12	8	16	10	20	13	Ordering Code SC Applicable when 20 ≥ M ≥ 10 <table border="1"> <tr><th>M</th><th>W</th><th>l₁</th><th>SC</th></tr> <tr><td>10</td><td>8</td><td>8</td><td rowspan="5">20</td></tr> <tr><td>12</td><td>10</td><td></td></tr> <tr><td>16</td><td>13</td><td>10</td></tr> <tr><td>20</td><td>17</td><td></td></tr> </table>	M	W	l ₁	SC	10	8	8	20	12	10		16	13	10	20	17		Ordering Code WN Applicable when 20 ≥ M ≥ 10 <table border="1"> <tr><th>M</th><th>WN</th><th>l</th></tr> <tr><td>10</td><td>4</td><td>5</td></tr> <tr><td>12</td><td>5</td><td>6</td></tr> <tr><td>16</td><td></td><td></td></tr> <tr><td>20</td><td>8</td><td>8</td></tr> </table>	M	WN	l	10	4	5	12	5	6	16			20	8	8
M	WC	l																																																													
10	6	10																																																													
12	8	10																																																													
16	10	12																																																													
20	12	13.5																																																													
M	WK	l																																																													
10	6	10																																																													
12	8																																																														
16	10																																																														
20	13																																																														
M	W		l ₁	SC																																																											
10	8	8	20																																																												
12	10																																																														
16	13	10																																																													
20	17																																																														
M	WN	l																																																													
10	4	5																																																													
12	5	6																																																													
16																																																															
20	8	8																																																													