


Similar Product Comparison Point

RoHS: Not Compliant, Standard for Running Test: Internal Standard Based on GB (for details, see P.1063)

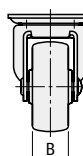
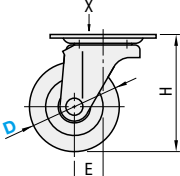
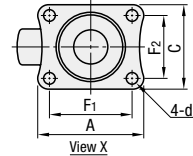
Similar Products Page P.1065

Swivel




Type	Main Body		Roller	Bearing	
	M Material	S Surface Treatment	M Material (Color)	Swiveling Part	Wheel
CNROJ	SPHC	Trivalent Bright Chromate Plating	Polypropylene (White)	Incorporated	None

⚠ Polypropylene -- Of general-purpose plastics, it exhibits excellent chemical resistance and high (bending) strength, and is lightweight.

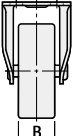
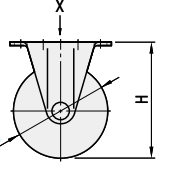
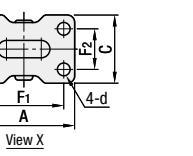
Part Number		Wheel Material	H	A	C	F ₁	F ₂	d	B	E	Allowable Load (N)	Weight (g)	Unit Price
Type	D												
CNROJ	38	P (Polypropylene)	50	46	38	36	28	5.1	17	17	200	70	
	50		65	59	47	46	35	6.1	22	21	300	150	
	75		93	70	58	55	42	8.1	27	27	500	270	

Fixed




Type	Main Body		Roller	Bearing	
	M Material	S Surface Treatment	M Material (Color)	Swiveling Part	Wheel
CNROK	SPHC	Trivalent Bright Chromate Plating	Polypropylene (White)	None	None

⚠ Polypropylene -- Of general-purpose plastics, it exhibits excellent chemical resistance and high (bending) strength, and is lightweight.

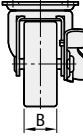
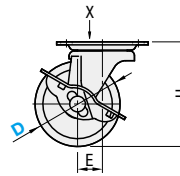
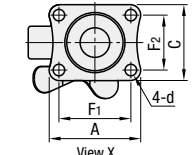
Part Number		Wheel Material	H	A	C	F ₁	F ₂	d	B	Allowable Load (N)	Weight (g)	Unit Price
Type	D											
CNROK	38	P (Polypropylene)	50	46	25	36	15	5.1	17	200	50	
	50		65	58	40	45	25	6.1	22	300	100	
	75		93	70	47	55	28	8.1	27	500	180	

Swivel with Stopper



Type	Main Body		Roller	Bearing	
	M Material	S Surface Treatment	M Material (Color)	Swiveling Part	Wheel
CNROS	SPHC	Trivalent Bright Chromate Plating	Polypropylene (White)	Incorporated	None

⚠ Polypropylene -- Of general-purpose plastics, it exhibits excellent chemical resistance and high (bending) strength, and is lightweight.

Part Number		Wheel Material	H	A	C	F ₁	F ₂	d	B	E	Allowable Load (N)	Weight (g)	Unit Price
Type	D												
CNROS	38	P (Polypropylene)	50	46	38	36	28	5.1	17	17	200	80	
	50		65	59	47	46	35	6.1	22	21	300	170	
	75		93	70	58	55	42	8.1	27	27	500	290	



Ordering Example

Part Number - Wheel Material
CNROJ75 - P