


# Flanges / Flange Covers for Round Glass Plates


For the flange and flange cover for round glass plates, the JIS-compliant type and the compact type which is 15% smaller than JIS-compliant type in O.D. are offered.

**Flanges for Round Glass Plates**

•JIS Type

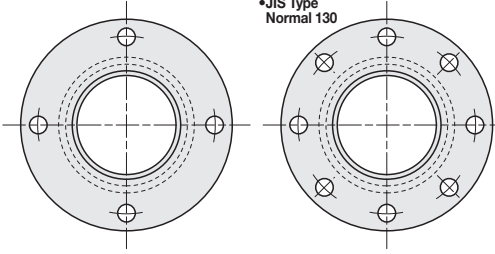


•Compact Type

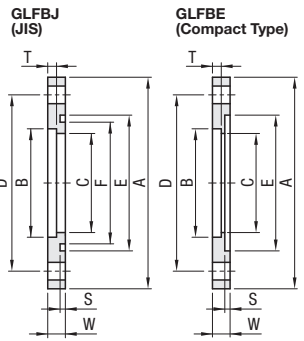


**GLFBJ** (JIS Flange Standard B2290-1998 compliant)  
**GLFBE** (Compact Type)

•JIS Type Normal 130



**GLFBJ** (JIS)  
**GLFBE** (Compact Type)



Material: SUS304

Compact type is not recommended for use in applications where reliability in sealing is required, such as vacuum environment.

Part Number	Flange Outer Dia.	Pipe Weld			Through Holes Pitch Circle Dia.	Pipe Part Depth T	Applicable O-rings	O-ring Groove			Flange Thickness W	Number of Through Hole - Diameter	Applicable Pipe Size		Unit Price
		Outer Dia. A	Outer Dia. B	Inner Dia. C				Outer Dia. E	Inner Dia. F	Depth S			O.D. x I.D.	JIS3 3459, 3465	
<b>GLFBJ</b> (JIS)	50	90	35	32.5	70	4	V40	49	40	2.8	8	4-Ø10	34.0x31.0	25A	
	65	105	49.6	47.1	85	5	V55	64	55	2.8	10	4-Ø10	48.6x45.6	40A	
	95	145	77.3	74.3	120	5	V85	94	85	2.8	10	4-Ø12	76.3x72.3	65A	
	130	185	115.3	112.3	160	6	V120	129	120	2.8	12	8-Ø12	114.3x110.3	100A	
<b>GLFBE</b> (Compact)	50	75	35	32.5	61.5	4	V40	49	-	2.5	8	4-Ø7	34.0x31.0	25A	
	65	90	49.6	47.1	76.5	4	V55	64	-	2.5	8	4-Ø7	48.6x45.6	40A	
	95	125	77.3	74.3	109.5	6	V85	94	-	2.5	10	4-Ø7	76.3x72.3	65A	
	130	160	115.3	112.3	145.5	8	V120	129	-	2.5	12	4-Ø10	114.3x110.3	100A	



Alterations



Part Number - (MAC)  
GLFBE65 - MAC

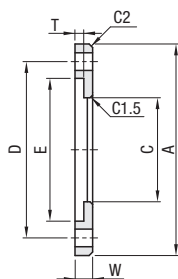
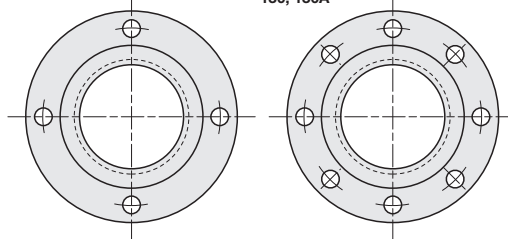
Alteration	Through Hole to Tapped Hole
Code	MAC
Spec.	Changes the diameter of through holes Ø7 to M6, Ø10 to M8 and Ø12 to M10. Ordering Code: MAC <span style="color: red;">⊗</span> Not applicable to flange covers.

**Flange Covers for Round Glass Plates**



**GLFCJ** (JIS Flange Standard B2290-1998 compliant)  
**GLFCE** (Compact Type)

•JIS Type Nominal 130, 130A



Part Number	Glass Thickness	Flange Cover A	Outer Dia. E	Inner Dia. C	Depth T	Cover Thickness W	Through Holes Pitch Circle Dia. D	Number of Through Hole - Diameter	Unit Price	
<b>GLFCJ</b> (JIS)	50	3~3.3	90	51	32.5	4.3	70	4-Ø10		
	65	3~3.3	105	66	47.1	4.3	85	4-Ø10		
	95	5.0	145	96	74.3	6	120	4-Ø12		
	130	8	185	131	112.3	9	13	160	8-Ø12	
	130A	10				15				
<b>GLFCE</b> (Compact)	50	3~3.3	75	51	32.5	4.3	61.5	4-Ø7		
	65	3~3.3	90	66	47.1	4.3	7	4-Ø7		
	95	5.0	125	96	74.3	6	9	4-Ø7		
	130	8	160	131	112.3	9	13	145.5	4-Ø10	
	130A	10				15				



Ordering Example

Part Number  
GLFBJ50  
GLFCE95