

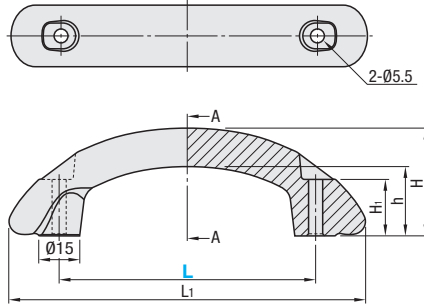
Pull Handles for Aluminum Extrusions

Arched Pull Handles

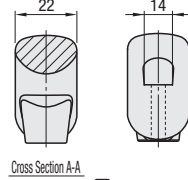


RoHS 10

UWSD



Features: Products intended for aesthetics as well as easier grip design.



Cross Section A-A

MMaterial: SUS304 Equivalent
SSurface Treatment: Buffed Finish

Part Number		L ₁	H	h	H ₁	Allowable Load (N)	Mass (g)	Unit Price
Type	L							
UWSD	100	139	42	27	21	500	337	
	150	190	44	29	17			



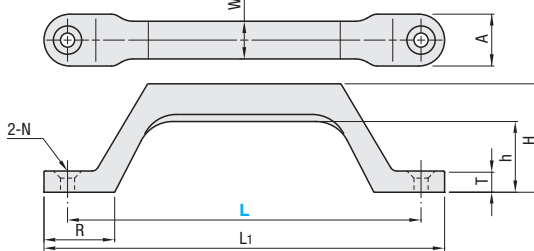
Back Side

Cast Pull Handles



RoHS 10

UWASND



MMaterial: SUS304 Equivalent
SSurface Treatment: Buffed Finish

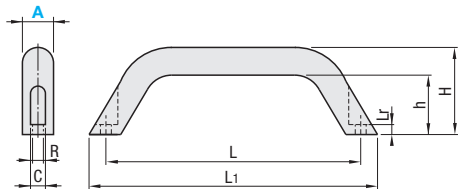
Part Number		L ₁	H	h	T	A	W	R	N		Allowable Load (N)	Mass (g)
Type	L								Through	Countersink		
UWASND	80	96	32	20	6	18	12	20	4.5	8.5	500	97
	100	116										23
	150	170	46	30	9	22	16	30	6.5	12.5		301
	200	220	46	30	9	22	16	30	6.5	12.5		354

Ordering Example
Part Number
UWSD100
UWASND80

Aluminum Pull Handles



Type	M	S
HHDF	Aluminum Alloy	Electrostatic Paint (Mat Black)
HHDFL	Aluminum Alloy	Barrel Grinding
HHDFA	Aluminum Alloy	Buffed Finish



Part Number		Applicable Extrusion (Series)	L	L ₁	H	h	R	C	L _r	Mass (g)	Screw, Nut				Unit Price				
Type	A										Screw	Quantity	Nut	Quantity	HHDF	HHDFL	HHDFA		
HHDF HHDFL HHDFA	19	HFS5	90	107	41	29	5.3	9	5	64	2	CBM5-10	HNTT5-5	2					
	20	HFS6	93.5	112	44	31	6.5	10.5	5	110					CBM6-12	HNTT6-6			
	26	HFS8 HFS8-45	130	149	57	40	8.5	13.3	5	250					CBM8-15	HNTT8-8			

Ordering Example
Part Number
HHDF19

Alterations
Part Number - (SET, SST)
HHDF19 - SET
When SET is specified, the product is not RoHS compliant.
Applicable to HHDF, HHDFL and HHDFA.

Alteration	Code	Spec.	No.
Applicable Screw and Nut Set	SET	Applicable screws and nuts come in a set.	19
	SST (Stainless Steel)	When SST is specified, screws and nuts will be in stainless steel.	20
			26