

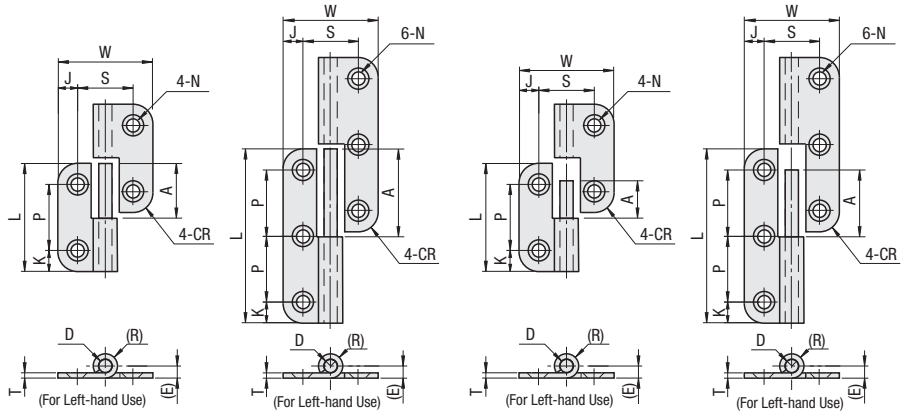
# Stainless Steel Detachable Hinges / Hinge Nuts

## Easy Detachable Type



**SHHPSL** (For Left-hand Use)  
**SHHPSR** (For Right-hand Use)

**SHHPSLC** (For Left-hand Use) (Short Pin Type)  
**SHHPSRC** (For Right-hand Use) (Short Pin Type)



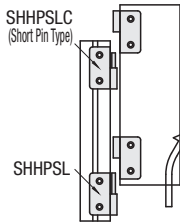
Material: SUS304

Part Number Type	Number of Holes on One Side	Allowable Load		Mass (g)	L	W	SHHPSL SHHPSR	SHHPSLC SHHPSRC	K	P	J	S	N		T	(E)	(R)	CR	D	Set of applicable Screws and Nuts		Unit Price	Volume Discount Rate		
		kg	N										Through	Countersink						Quantity	1-8 pc(s)			9-100	
SHHPSL SHHPSLC (For Left-hand Use)	5	2	9	88	34	41	19	14	8	25	7.5	21	5.5	8.6 (For M4)	2	4.6	4.6	4	5	SHFBS4-8		4			
		3	11	108	55	66	31	26												SHFBS4-10		4			
		3	15	147	80	78	37	32												SHFBS4-10		4			
SHHPSR SHHPSRC (For Right-hand Use)	8	2	25	245	111	59	29	24	11	37	10	42	6.5	10.6 (For M5)	3	6.1	6.1	5	6	SHFBS5-12		4			
		3	38	372	185	96	47	42												SHFBS5-12		6			
		3	40	392	266	113	56	51												SHFBS5-12		4			
	845	3	30	294	162	70	34	29	13.5	43	16.5	47													

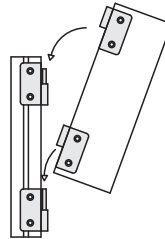
\* The allowable load is the value when 2 pieces are used. (R) The applicable screws and nuts can be provided as a set.



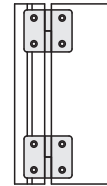
Example



1. Remove the panel from the extrusion.



2. When re-mounting the panel on the extrusion, insert the lower hinge first as the Pin (the upper hinge in the above drawing) is shorter.



3. Installing and removing the panels is easy since the upper hinge is inserted after locating with the lower hinge.



Ordering Example

Part Number - Number of Holes on One Side  
**SHHPSL5 - 2**

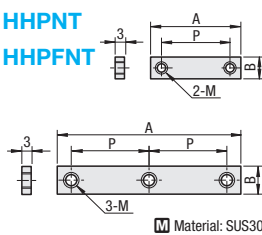


Alterations



Part Number - Number of Holes on One Side - (SST)  
**SHHPSL5 - 2 - SST**

Alteration	Code	Spec.	Hinge	No.	Number of Holes on One Side
Set of applicable Screws and Nuts	SST (Stainless Steel)	Applicable screws and nuts come in a set. When SST is specified, screws and nuts will be in stainless steel. (Ex.) Screw: SHFBS4-8 Nut: HNTTSN5-4	SHHPSL SHHPSLC SHHPSR SHHPSRC	5	2
					3
				6	2
					3
				8	2
					3
845	2			2	
				3	



Material: SUS304

Part Number Type	No.	Holes	B	A	P	M	Unit Price (1-9 pcs)	Volume Discount Rate (10-500)
HHPNT	5	2	9	34	25	5		
		3	59					
	6	2	10	70	30	6		
		3	49					
		3	86					
845	2	12	55	43				
	3	98						
HHPFT	5	2	14	33	20	5		
		3	16	38				
	8	2	18	48	30	6		

(R) For orders larger than indicated quantity, please check with WOS.

Applicable Hinge Nuts for Hinges on Panel					
Hinge	No.	Holes	Applicable Hinge Nut	No.	Holes
HHPSN	5	5	HHPNT5-2	5	2
			HHPNT5-3	5	3
HHPST	6	6	HHPNT6-2	6	2
			HHPNT6-3	6	3
HHPNH	8	8	HHPNT8-2	8	2
			HHPNT8-3	8	3
SHPSNA	8-45	8-45	HHPNT845-2	8-45	2
			HHPNT845-3	8-45	3
HHPNLD	8-45	8-45	HHPNT8-2	8-45	2
			HHPNT8-3	8-45	3
HHPNLS	5	5	HHPNT5-2	5	2
			HHPNT5-3	5	3
HHPNLS	8	8	HHPNT6-2	8	2
			HHPNT6-3	8	3
845	845	845	HHPNT845-2	845	2
			HHPNT845-3	845	3
HHPFLN	5	5	HHPNT5-2	5	2
			HHPNT5-3	5	3
HHPFDLN	8	8	HHPNT6-2	8	2
			HHPNT6-3	8	3
HHPFDRN	8-45	8-45	HHPNT8-2	8-45	2
			HHPNT8-3	8-45	3

(R) Not applicable to HHPJ6, SHPSNA6 and SHHPS26.