
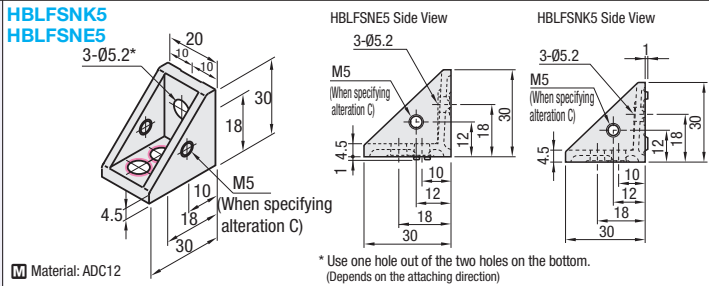


■ **Features:** Brackets with single side tabs. Panels can be mounted on the side without tabs as shown in the app. example.

■ **Brackets with Single Side Tab**

HBLFSNK5
HBLFSNE5

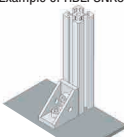
Material: ADC12

* Use one hole out of the two holes on the bottom. (Depends on the attaching direction)

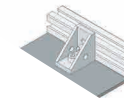
EX Example

Can be mounted on a plate directly.

Example of HBLFSNK5



Example of HBLFSNE5



Part Number	Mass (g)	Applicable Screw	T Nut	Quantity	Quantity	Load (N)	Unit Price	Volume Discount Rate
Type	(g)	Screw	T Nut	Quantity	Quantity	Load (N)	1-99 pc(s)	100-200
HBLFSNK5	15	CBM5-10	HNTT5-5	2	2	1176		
HBLFSNE5								


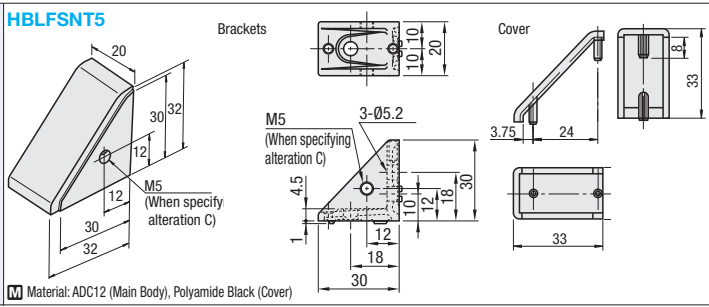
■ **Features:** Tabbed Reversal Brackets with Cover. Designed to prevent dust build-up.

■ **Brackets with Cover**

HBLFSNT5

Brackets

Cover

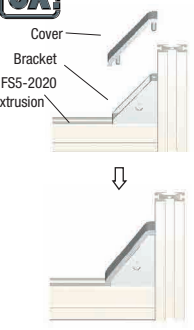
Material: ADC12 (Main Body), Polyamide Black (Cover)

EX Example

Cover

Bracket

HFS5-2020 Extrusion


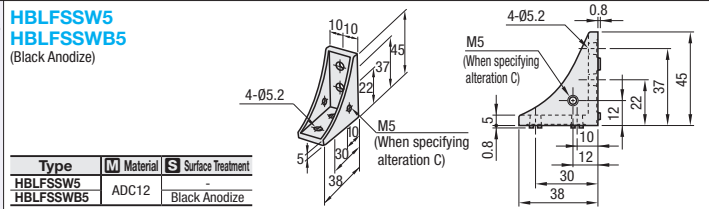


Part Number	Mass (g)	Applicable Screw	T Nut	Quantity	Quantity	Load (N)	Unit Price	Volume Discount Rate
Type	(g)	Screw	T Nut	Quantity	Quantity	Load (N)	1-99 pc(s)	100-200
HBLFSNT5	17	CBM5-10	HNTT5-5	2	2	1176		

■ **Features:** Tabbed Reversal Brackets with two mounting holes on one side can connect extrusions more securely.

■ **Tabbed Reversal Brackets**

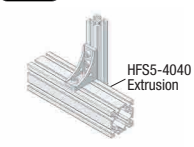
HBLFSSW5
HBLFSSWB5
(Black Anodize)

Material: ADC12
Surface Treatment: Black Anodize

EX Can be connected in parallel and perpendicular directions to the extrusion slot.

HFS5-4040 Extrusion



Part Number	Mass (g)	Applicable Screw	T Nut	Quantity	Quantity	Load (N)	Unit Price	Volume Discount Rate
Type	(g)	Screw	T Nut	Quantity	Quantity	Load (N)	1-99 pc(s)	100-200
HBLFSSW5	24	CBM5-10	HNTT5-5	4	4	1470		
HBLFSSWB5* (Black Anodize)								

Ordering Example

Part Number

HBLFSN5
HBLFSL5
HBLFSR5
HBLFSNK5
HBLFSNT5

* For repairing black anodizing, refer to P.846.

Alterations

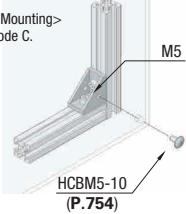
Part Number - (C, SET, SST, SEU, SSU, SEP, SSP, SEC)

HBLFSNK5 - SET

Alterations	Code	Spec.	Applicable Bracket
Mounting Hole Alteration for Cover	C	Adds taps on a bracket for cover mounting. (M5 on Both Sides) (Mounting Screw HCBM on P.754)	HBLFSNF5
			HBLFSN5
			HBLFSN5-4
			HBLFSNB5
			HBLFSNM5
			CHBLFSN5
			HBLFSL5
			HBLFSLB5
			HBLFSLM5
			HBLFSR5
			HBLFSNK5
			HBLFSNE5

Alterations	Code	Spec.	Applicable Bracket
Applicable Screws and Nuts Set	SET SST SEU Pre-Assembly Insertion Spring Nuts SSU Pre-Assembly Insertion Spring Nuts Stainless Steel SEP Pre-Assembly Insertion Spring Nuts Stainless Steel SSP Pre-Assembly Insertion Spring Nuts Stainless Steel SEC Screws with Captured Washer and Nuts	Applicable screws and nuts for fixing the brackets on extrusions come in a set. (Adds to the bracket price.) (Ex.) When HBLFSN5 is specified: Code Screw Nut SET CBM5-10 HNTT5-5 SST SCB5-10 HNTTBS5-5 SEU CBM5-10 HNTU5-5 SSU SCB5-10 SHNTU5-5 SEP CBM5-10 HNTTP5-5 SSP SCB5-10 SHNTP5-5 SEC HCBST5-12 HNTT5-5	HBLFSNF5
			HBLFSN5
			HBLFSN5-4
			HBLFSNB5
			HBLFSNM5
			CHBLFSN5
			HBLFSL5
			HBLFSLB5
			HBLFSLM5
			HBLFSR5
			HBLFSNK5
			HBLFSNE5

<Example of Cover Mounting>
Specify alteration code C.



M5

HCBM5-10 (P.754)

⊕ Screws for Black Anodized Brackets and Cathodic Electrodeposition Painted (black) Brackets are HCBMTB (Trivalent Chromate Black) on P.751.
⊕ Included Screw is not RoHS compliant when -SET, -SEU or -SEP other than Black Anodized or Cathodic Electrodeposition