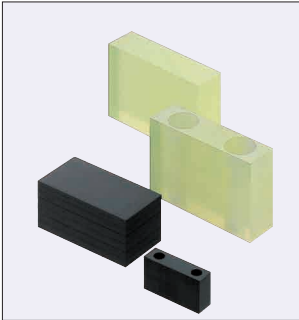
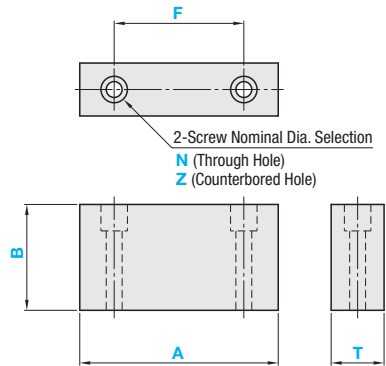


# Urethane / Rubber Blocks



Type	Material	Hardness	Color
<b>BUTSN</b>	Ether Polyurethane	Shore A95	Natural Color
<b>BUTHN</b>	Polyurethane	Shore A90	Natural Color
<b>BUTM</b>	Ester Polyurethane	Shore A70	Natural Color
<b>BUTL</b>	Polyurethane	Shore A50	Natural Color
<b>BRBNM</b>	Nitrile Rubber	Shore A70	Black
<b>BRBCM</b>	Chloroprene Rubber	Shore A65	Black
<b>BRBFM</b>	Fluororubber	Shore A80	Black
<b>BRBSM</b>	Silicon Rubber	Shore A70	Light Gray
<b>BRBAM</b>	Silicon Rubber	Shore A50	Milky White
<b>BUNSE</b>	Low Elasticity Rubber	Shore A32	Black



Type	Material	Tolerance
<b>BUTSN</b>	Ether Polyurethane	T Dimension Tolerance 6 ~ 9 10 or More
<b>BUTHN</b>	Polyurethane	T Dimension Tolerance ±0.3 ±0.5
<b>BUTM</b>	Ester Polyurethane	A, B Dimension Tolerance 30mm or Less 31 ~ 50 51 or More
<b>BUTL</b>	Polyurethane	A, B Dimension Tolerance ±0.5 ±0.7 ±0.8
<b>BRBNM</b>	Nitrile Rubber	T Dimension Tolerance 6 ~ 9 10 or More
<b>BRBCM</b>	Chloroprene Rubber	T Dimension Tolerance ±0.5 ±0.8
<b>BRBFM</b>	Fluororubber	T Dimension Tolerance ±0.5 ±0.8
<b>BRBSM</b>	Silicon Rubber	A, B Dimension Tolerance 30mm or Less 31 ~ 50 51 or More
<b>BRBAM</b>	Silicon Rubber	A, B Dimension Tolerance ±0.8 ±1.0 ±1.5
<b>BUNSE</b>	Low Elasticity Rubber	A, B Dimension Tolerance ±0.8 ±1.0 ±1.5

⑤ $5 \leq T-d(d1)$   
⑥ $d(d1)+5 \leq F \leq A-d(d1)-5$

Hole Machining Details		Screw Nominal Dia.
<b>N</b> (Through Hole)		3 4 5 6 8 10 12
<b>Z</b> (Counterbored Hole)		3 4 5 6 8 10 12

Part Number	Type	A	B	T	F	Screw Nominal Dia. Selection N (Through Hole), Z (Counterbored Hole)
<b>BUTSN</b> (Urethane A95)		25~150	25~100	6~30	9~141	0 3 4 5 6 8 10 12
<b>BUTHN</b> (Urethane A90)						(When B<30)
<b>BUTM</b> (Urethane A70)						0 5 6 8 10 12
<b>BUTL</b> (Urethane A50)						(When 30≤B<50)
<b>BRBNM</b> (Nitrile Rubber)						0 10 12
<b>BRBCM</b> (Chloroprene Rubber)						(When 50≤B)
<b>BRBFM</b> (Fluororubber)						(For No Hole) N=0
<b>BRBSM</b> (Silicon Rubber A70)						
<b>BRBAM</b> (Silicon Rubber A50)						
<b>BUNSE</b> (Low Elasticity Rubber)						

Ordering Example: Part Number - A - B - T - F - Screw Nominal Dia. Selection  
**BUTSN** - A100 - B100 - T21 - F53 - N12  
**BUNSE** - A150 - B50 - T7 - F0 - N0

Part Number	Type	A	B	T	Unit Price									
					BUTSN BUTM BUTL	BUTHN	BRBNM BRBCM	BRBFM	BRBSM BRBAM	BUNSE				
<b>BUTSN</b> <b>BUTHN</b> <b>BUTM</b> <b>BUTL</b> <b>BRBNM</b> <b>BRBCM</b> <b>BRBFM</b> <b>BRBSM</b> <b>BRBAM</b> <b>BUNSE</b>	25-50	25-40	41-60	6-10										
				11-15										
				16-20										
				21-25										
				26-30										
				6-10										
	51-100	61-80	81-100	6-10										
				11-15										
				16-20										
				21-25										
				26-30										
				6-10										
	25-50	41-60	81-100	6-10										
				11-15										
				16-20										
				21-25										
				26-30										
				6-10										
		61-80	81-100	6-10										
				11-15										
				16-20										
				21-25										
				26-30										
				6-10										

Part Number	Type	A	B	T	Unit Price								
<b>BUTSN</b> <b>BUTHN</b> <b>BUTM</b> <b>BUTL</b> <b>BRBNM</b> <b>BRBCM</b> <b>BRBFM</b> <b>BRBSM</b> <b>BRBAM</b> <b>BUNSE</b>	25-50	41-60	81-100	6-10									
				11-15									
				16-20									
				21-25									
				26-30									
				6-10									
		61-80	81-100	6-10									
				11-15									
				16-20									
				21-25									
				26-30									
				6-10									

Alterations: Part Number - A - B - T - F - Screw Nominal Dia. Selection - (ZC)  
**BUTSN** - A100 - B100 - T30 - F53 - Z10 - ZC17.5-J16

Alteration	Counterbored Hole Detailed Dimensions
Code	ZC
Spec.	Changes the dimensions of counterbore hole. Ordering Code ZC17.5-J15 ZC, J=0.5mm Increment ZC-d=4 B-J=2