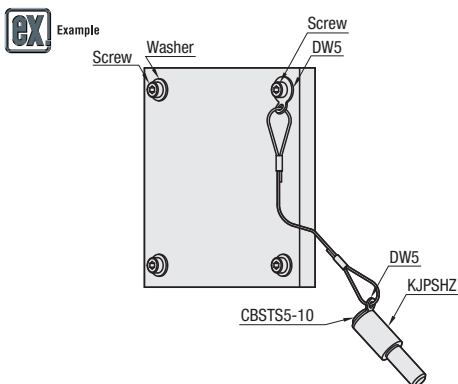
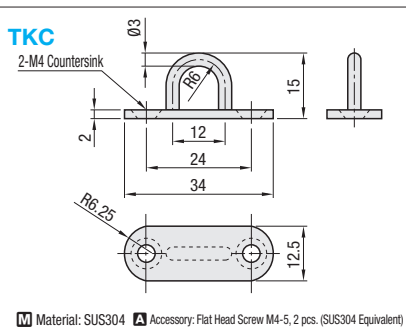
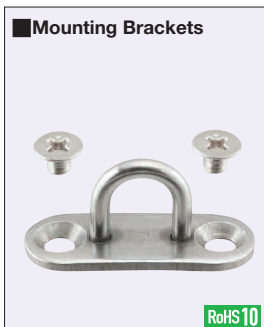


Part Number	Unit Price	Volume Discount Rate
Type	1 ~ 9 pc(s).	10 ~ 49 pcs.
Nominal		50 ~ 500 pcs.
DW		
3	3.2	7
4	4.3	10
5	5.5	12
6	6.5	13
	9.4	3.5
	8	1.5

For orders larger than indicated quantity, please check with WOS.



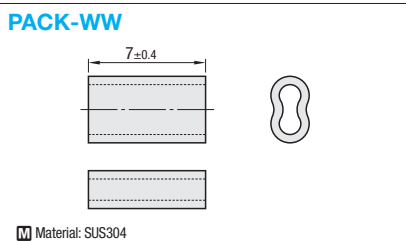
Ordering Example Part Number **DW4**



Part Number	Mass	Applied Load	Unit Price	Volume Discount Rate
TKC	7g	20kg	1 ~ 19 pc(s).	20 ~ 49 pcs. 50 ~ 99 pcs. 100 ~ 200 pcs.

The reference applied load is only a guideline.

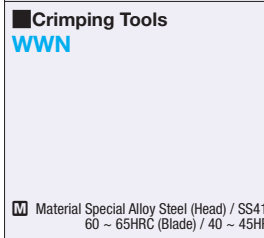
Ordering Example Part Number **TKC**



Crimping tool for wires (left-hand page).

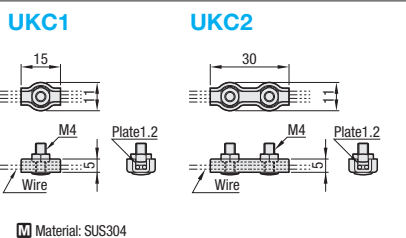
Part Number	Unit Price	Volume Discount Rate
Type	No.	1 ~ 2 pkg(s).
PACK-WW	1	3 ~ 4 pkgs.
		5 ~ 10 pkgs.

Available for Nylon Coating Type.



Tool for swaging wires (left-hand page) with crimp bracket (PACK-WW1).

Part Number	Unit Price	Volume Discount Rate
	1 ~ 2 pc(s).	3 ~ 10 pcs.
WWN		



Part Number	Unit Price	Volume Discount Rate
Type	No.	Mass
		Applicable Wire Dia.
UKC	1	4g
	2	9g
		Ø1~1.5
		1 ~ 4 pc(s).
		5 ~ 9 pcs.
		10 ~ 19 pcs.
		20 ~ 50 pcs.

Ordering Example Part Number **PACK-WW1**
WWN
UKC1