


Note that, for some of the types shown here, order might be unable to be received by the MISUMI Malaysia, Indonesia and/or India offices.

Washers / Washers for Slotted Holes / Metal Washers

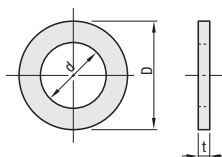
Single Item Sale- -Pkg. Sale

Flat washers and spring washers can be ordered by cost saving boxes. P236

Flat Washer



PWF
SPWF




M Material SPCC Equivalent SUS304
S Surface Treatment Trivalent Chromate -
JIS B 1256

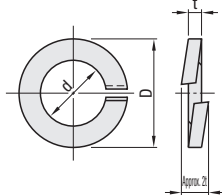
RoHS 10

Part Number	d	D		t	PWF			SPWF				
		Unit Price	Volume Discount Rate		Unit Price	Volume Discount Rate	Unit Price	Volume Discount Rate				
Type	Nominal				1 - 24 pcs(s)	25 - 199 pcs	200 - 499 pcs	500 - 1000 pcs	1 - 24 pcs(s)	25 - 199 pcs	200 - 499 pcs	500 - 1000 pcs
PWF	2	2.2	4.3	5	0.3							
	2.5	2.7										
	2.6	2.8	5	6.5	0.5							
	3	3.2	6.0	7.0	0.5							
	4	4.3	8.0	9.0	0.8							
	5	5.3	10.0	10.0	1.0							
	6	6.4	12.5	12.5								
	8	8.4	15.5	17.0	1.6							
	10	10.5	18.0	21.0	2.0							
	12	13.0	21.0	24.0	2.5							
16	17.0	28.0	30.0	3.0								
20	21.0	34.0	37.0									
24	25.0	39.0	44.0	4.0								

Spring Washer



SLW
SSLW




M Material JIS-SWRH SUS304N
S Surface Treatment Trivalent Chromate -
JIS B 1251

RoHS 10

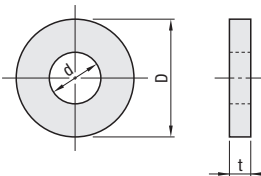
Part Number	d	D	t	SLW			SSLW					
				Unit Price	Volume Discount Rate	Unit Price	Volume Discount Rate	Unit Price	Volume Discount Rate			
Type	Nominal				1 - 24 pcs(s)	25 - 199 pcs	200 - 499 pcs	500 - 1000 pcs	1 - 24 pcs(s)	25 - 199 pcs	200 - 499 pcs	500 - 1000 pcs
SLW	2	2.1	4.4	0.5								
	2.5	2.6	5.2	0.6								
	2.6	2.7	5.3									
	3	3.1	5.9	0.7								
	4	4.1	7.6	1.0								
	5	5.1	9.2	1.3								
	6	6.1	12.2	1.5								
	8	8.2	15.4	2.0								
	10	10.2	18.4	2.5								
	12	12.2	21.5	3.0								
16	16.2	28.0	4.0									
20	20.2	33.8	5.1									
24	24.5	40.3	5.9									

Ordering Example **Part Number**
PWF3

Washers for Slotted Holes



Type	M Material	S Surface Treatment
PACK-PWFN	SPCC	Trivalent Chromate
PACK-SPWFN	SUS304	-




Features
-Thicker flat washers than the standard type. Usable to prevent washers for slotted holes from falling.

RoHS 10

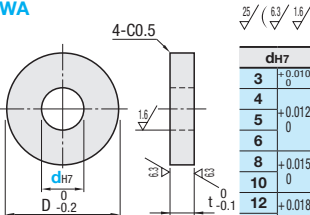
Part Number	Type	Nominal	PACK-PWFN			PACK-SPWFN			PACK-PWFN		PACK-SPWFN	
			d	D	T	d	D	T	Unit Price	Volume Discount Rate	Unit Price	Volume Discount Rate
									1 - 2 pkg(s)	3 pkg(s) or More	1 - 2 pkg(s)	3 - 500 pkg(s)
PACK-PWFN	3	3.4	8	1	3.3	8	1	50				
	4	4.5	10	1.6	4.5	10	1.5	50				
	5	5.5	16	2	5.5	12	2	20				
	6	6.5	16	3.2	6.5	13	3	20				
PACK-SPWFN	8	8.5	20	3	8.5	22	3	20				

For orders larger than indicated quantity, please check with WOS.

Metal Washers



LOWA



dH7	+	-
3	+0.010	0
4	+0.012	0
5	+0.015	0
6	+0.018	0
8	+0.018	0
10	+0.018	0
12	+0.018	0
16	+0.018	0

M Material: Steel for General Structure

RoHS 10

Part Number	Type	d	D	t	Unit Price	Volume Discount Rate
					1 - 49 pcs(s)	50 - 99 pcs
LOWA	3	6				
	4	10				
	5		5			
	6	14				
	8	18		8		
	10	22				
	12	25				
	16	32		10		

For orders larger than indicated quantity, please check with WOS.

Ordering Example **Part Number**
PACK-PWFN3
LOWA5