


Hex Socket Flat Head Cap Screws / Hex Socket Button Head Cap Screws

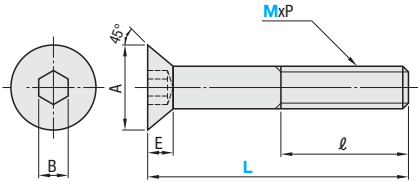
Available in Steel/Single item-Flanged

Hex Socket Flat Head Cap Screws



RoHS 10

Type	Material	Hardness	Surface Treatment	Strength Class
FB	SCM435	32-39HRC	Black Oxide	10.9 Equivalent




MxP (Coarse)	A	E	B
4x0.7	8	2.3	2.5
5x0.8	10	2.8	3.0
6x1.0	12	3.3	4.0
8x1.25	16	4.4	5.0
10x1.5	20	5.5	6.0

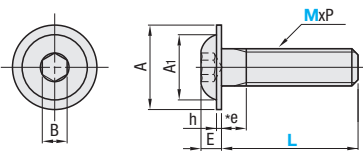
FB (Black Oxide)

Part Number	ℓ	Unit Price	Volume Discount Rate				
				Type	M-L		
FB	4-10	Studs - Fully Threaded	1 ~ 499 pcs, 500 - 1000 pcs.				
						15	
						20	
						25	
						30	
						35	
	5-10	Studs - Fully Threaded				14	
							12
							16
							20
							25
							30
	6-10	Studs - Fully Threaded				16	
							12
							15
							20
							25
							30
	8-15	Studs - Fully Threaded				18	
							20
							25
							30
							35
							40
10-20	Studs - Fully Threaded				22		
						20	
						25	
						30	
						35	
						45	

Hex Socket Button Head Cap Screws - Flanged



Type	Material	Hardness	Surface Treatment	Strength Class
BCBFB	SCM435	32-39HRC	Black Oxide	10.9 Equivalent
BCBFS	SUS304 Equivalent	-	-	A2-50 Equivalent



* e (Incomplete Threaded Portion) = Max. 2 Pitch

MxP (Coarse)	A	A1	E	h (Min.)	B
3x0.5	7	5.2	1.65	0.6	2
4x0.7	9.2	6.8	2.2	0.7	2.5
5x0.8	11.4	8.5	2.75	0.9	3
6x1.0	13.6	10.1	3.3	1	4

Part Number	BCBFB		BCBFS		
	Unit Price	Volume Discount Rate	Unit Price	Volume Discount Rate	
Type	M-L	1 ~ 10 pc(s)	11-100 pcs.	1 ~ 10 pc(s)	11-100 pcs.
BCBFB	3- 5	-	-		
		6			
		8			
	4- 6	8			
		10			
		12			
	5- 8	10			
		12			
		15			
	6- 8	10			
		12			
		15			

Ordering Example **Part Number**
BCBFB6-15
BCBFS3-8

* The strength class signifies the screw's tensile strength.

(Ex.) 10.9
 — This indicates that the minimum value for yielding point or proof stress is 90% of tensile strength.
 — This indicates that the minimum value of tensile strength is 1040N/mm².