


Hex Socket Flat Head Cap Screws

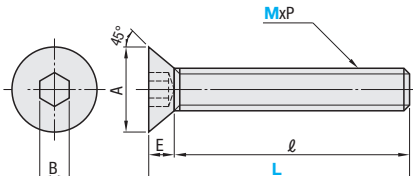
Available in Stainless Steel (Available in Pkg./Single item)

Hex Socket Flat Head Cap Screws - Stainless Steel



RoHS 10

Type	Material	Surface Treatment	Strength Class
SFB	SUS304 Equivalent	-	A2-50 Equivalent
PACK-SFB (Pkg.)			



MxP (Coarse)	A		E (Max.)	B (Nominal)
	Min.	Max.		
2x0.4	3.7	4.0	1.2	1.3
2.5x0.45	4.7	5.0	1.5	1.5
3x0.5	5.54	6.72	1.86	2.0
4x0.7	7.53	8.96	2.48	2.5
5x0.8	9.43	11.2	3.1	3.0
6x1.0	11.34	13.44	3.72	4.0
8x1.25	15.24	17.92	4.96	5.0
10x1.5	19.22	22.4	6.2	6.0

SFB (Stainless Steel)

Part Number		ℓ	Unit Price	Volume Discount Rate
Type	M-L		1 ~ 29 pcs.	30 ~ 49 pcs.
SFB	3- 5	Studs - Fully Threaded		
	6			
	8			
	10			
	12			
	15			
	20			
	25			
	30			
	4- 8	Studs - Fully Threaded		
	10			
	12			
	15			
	20			
	25			
	30			
	5- 8	Studs - Fully Threaded		
	10			
	12			
	15			
20				
25				
30				
6-10	Studs - Fully Threaded			
12				
15				
20				
25				
30				

PACK-SFB (Pkg.)

Part Number		ℓ	Qty. / Pack	Unit Price	Volume Discount Rate
Type	M-L			1 ~ 2 pkg(s).	3~10 pkgs.
PACK-SFB	2- 4	Studs - Fully Threaded	100 pcs./pkg.		
	5				
	6				
	2.5- 5				
	6				
	8				
	3- 5				
	6				
	8				
	10				
	12				
	15				
	20				
	25				
	30				
	4- 6				
	8				
	10				
	12				
	15				
	20				
	25				
	30				
	5- 8				
	10				
	12				
	15				
	20				
	25				
	30				
6-10					
12					
15					
20					
25					
30					
8-12					
15					
20					
25					
30					
10-15					
20					
25					
30					

⚠ When placing an order, please specify number of packages.



Ordering Example

Part Number

FB6-10
SFB3-5
PACK-SFB2-6

* The strength class signifies the screw's tensile strength.

(Ex.) A2-50

This indicates that the minimum value of tensile strength is 500N/mm².

The steel class is A2 (Austenitic Stainless Steel)