

Similar Products Comparison Points | Travel Accuracy Straightness 50µm

Similar Product Pages P.1998

Features: No knob is required since a hex wrench is used to feed the stage, making for a space saving form factor. Unintended position changes can be prevented since the stage cannot be operated without a hex wrench.

XY-Axis, Hex Wrench Drive
(Lead 0.5mm)

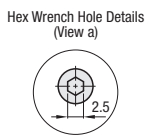
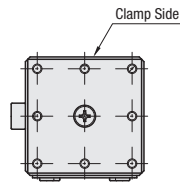


X-Axis: P.1960

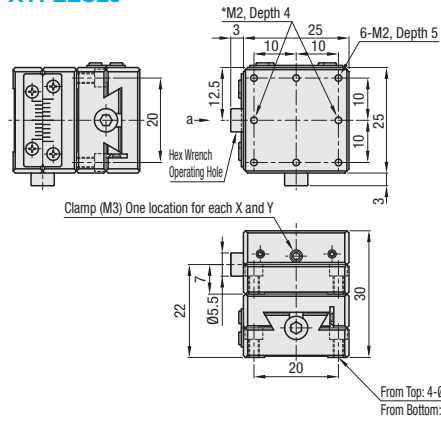
RoHS 10

See the CAD data for details.

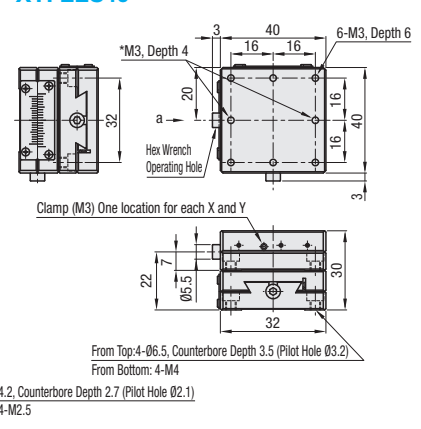
Clamp Position Change
XYFEES□-R (Right/Left Reversed)



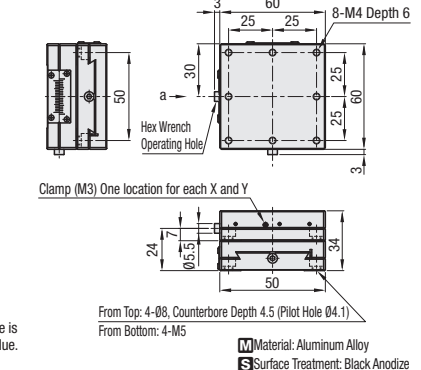
XYFEES25



XYFEES40



XYFEES60



* The depth will be short due to the stage shape.
Please note that the plate might be removed when the stage is moved in a travel distance more than the predetermined value.

M Material: Aluminum Alloy
S Surface Treatment: Black Anodize

XY-Axis Stages High Precision Stage Existing Product: XYEEG (P.1998)

Type	Part Number		Stage Surface (mm)	Travel Distance (mm)	Travel per Rotation (mm)	Load Capacity (N)	Travel Accuracy Straightness	Weight (kg)	Unit Price
	No.	Clamp Position							
XYFEES	25	No Symbol (Standard)	25x25	±5	0.5	27.4	50µm	0.06	
	40	R (Right/Left Reversed)	40x40	±7				0.13	
	60		60x60	±8				0.32	

Resolution (Vernier Scale Indication): 0.1 mm/division

Ordering Example

Part Number
XYFEES40

ex Example

Tips: Long stroke moves can be made easily with use of a ball-point hex wrench.

