


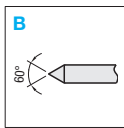
Comparison Points with Similar Products | Replacement Cycle (Reference) : 100,000 times Convenient package sale is available at a low price.

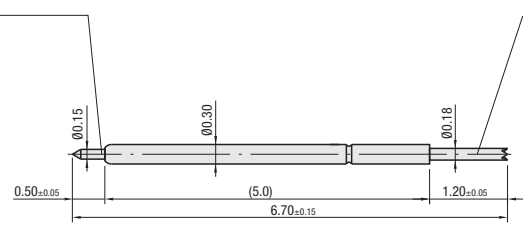
Double Tipped Probe
Sold by the package (50 pcs./pkg.)



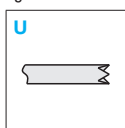
RNPC030

Left Side






Right Side



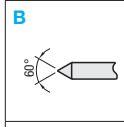
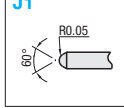
Part	Material	Surface Treatment
(1) Plunger	BeCu (L) SK4 (R)	Gold Plating on Nickel Undercoat
(2) Barrel	Phosphor Bronze	Gold Plating on Nickel Undercoat
(3) Spring	SWP	Gold Plating

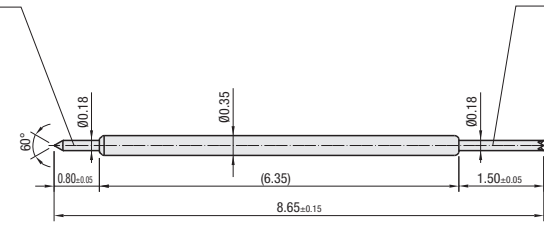
Double Tipped Probe
Sold by the package (50 pcs./pkg.)




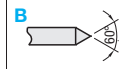

RNPA035

Left Side




Right Side

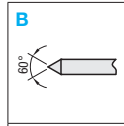
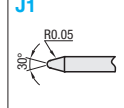
Part	Material	Surface Treatment
(1) Plunger	BeCu	Gold Plating on Nickel Undercoat
(2) Barrel	Phosphor Bronze	Gold Plating on Nickel Undercoat
(3) Spring	SWP	Gold Plating

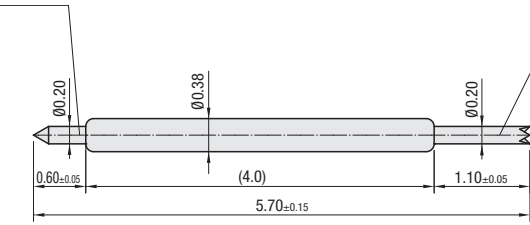
Double Tipped Probe
Sold by the package (50 pcs./pkg.)



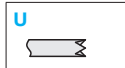
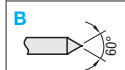

RNPA038

Left Side



Right Side

Part	Material	Surface Treatment
(1) Plunger	BeCu	Gold Plating on Nickel Undercoat
(2) Barrel	Phosphor Bronze	Gold Plating on Nickel Undercoat
(3) Spring	SWP	Gold Plating

Part Number		Tip Shape		Mounting Pitch (min)	Full Stroke	Spring Pressure (2/3 Stroke)	Allowable Current	Resistance	Replacement Cycle (Reference)	Unit Price (50 pcs./pkg.)
Type	No.	Left Side	Right Side							
RNPC	030	B	U	0.4mm	1.0mm	12±3gf	0.3A	180mΩ	100,000 times	
RNPA	035	B	U, B, J	0.45mm	1.3mm	22±5gf	0.5A	200mΩ	100,000 times	
		J1	U, J							
RNPA	038	B	U, B, J	0.5mm	1.1mm	30±6gf	0.5A	100mΩ	100,000 times	
		J1	U, J							



Ordering Example

Part Number (Type, No.) - L R
RNPC030 - B U