


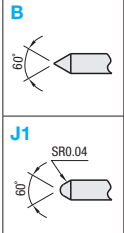
Comparison Points with Similar Products | Replacement Cycle (Reference) : 100,000 times Convenient package sale is available at a low price.

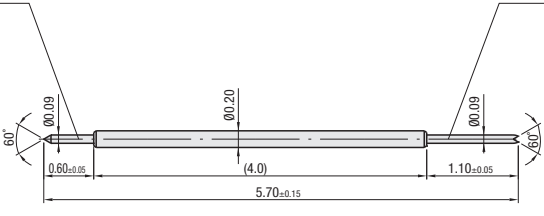
Double Tipped Probe
Sold by the package (50 pcs./pkg.)



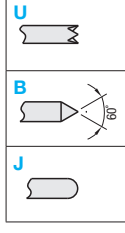
RNPA020

Left Side






Right Side



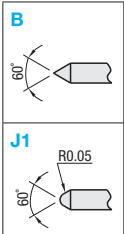
Part	Material	Surface Treatment
(1) Plunger	SK4	Gold Plating on Nickel Undercoat
(2) Barrel	Phosphor Bronze	Gold Plating on Nickel Undercoat
(3) Spring	SUS304	Gold Plating

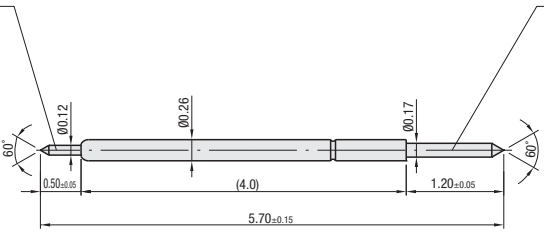
Double Tipped Probe
Sold by the package (50 pcs./pkg.)



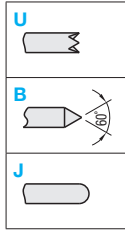
RNPA026

Left Side






Right Side



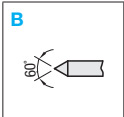
Part	Material	Surface Treatment
(1) Plunger	SK4	Gold Plating on Nickel Undercoat
(2) Barrel	Phosphor Bronze	Gold Plating on Nickel Undercoat
(3) Spring	SUS304	Gold Plating

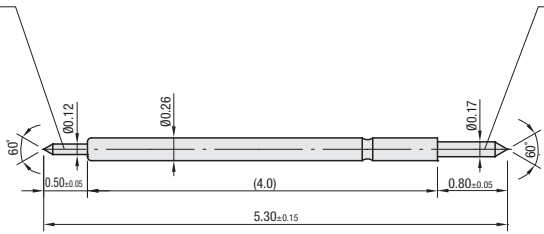
Double Tipped Probe
Sold by the package (50 pcs./pkg.)



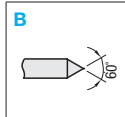
RNPC026

Left Side





Right Side



Part	Material	Surface Treatment
(1) Plunger	BeCu	Gold Plating on Nickel Undercoat
(2) Barrel	Phosphor Bronze	Gold Plating on Nickel Undercoat
(3) Spring	SWP	Gold Plating

Part Number		Tip Shape		Mounting Pitch (min)	Full Stroke	Spring Pressure (2/3 Stroke)	Allowable Current	Resistance	Replacement Cycle (Reference)	Unit Price (50 pcs./pkg.)
Type	No.	Left Side	Right Side							
RNPA	020	B	U, B, J	0.3mm	1.1mm	12±3gf	0.5A	100mΩ	100,000 times	
		J1	U, J							
RNPA	026	B	U, B, J	0.35mm	1.1mm	16±5gf	0.5A	180mΩ	100,000 times	
		J1	U, J							
RNPC	026	B	B	0.35mm	0.8mm	21±5gf	0.5A	180mΩ	100,000 times	

Ordering Example: Part Number (Type, No.) - L R
RNPA020 - B J