

Note that, for some of the types shown here, order might be unable to be received by the MISUMI Malaysia, and/or Indonesia offices.



Contact Probes, Receptacles

Minimum Mounting Pitch 3.18mm / 3.96mm Series



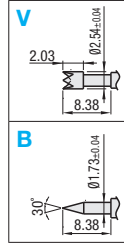
Similar Component Page P.1931

Comparison Points with Similar Products | Replacement Cycle (Reference) : 200,000 times Convenient package sale is available at a low price.

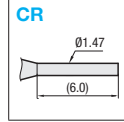
Contact Probe
Minimum Mounting Pitch 3.18mm
Sold by the package (50 pcs./pkg.)

Receptacle
Sold by the package (50 pcs./pkg.)

NPM125 : Contact Probe



NRM125 : Receptacle

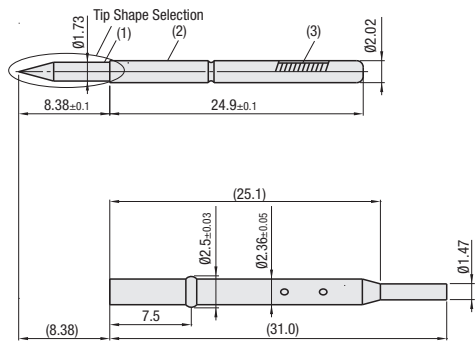


Contact Probes

Part	Material	Surface Treatment
(1) Plunger	SK4	Gold Plating on Nickel Undercoat
(2) Barrel	Phosphor Bronze	Gold Plating on Nickel Undercoat
(3) Spring	SWP-A	Gold Plating on Nickel Undercoat

Receptacles

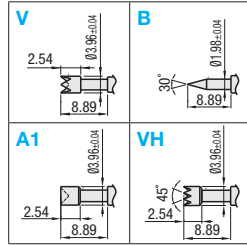
Material	Surface Treatment
Phosphor Bronze	Gold Plating on Nickel Undercoat



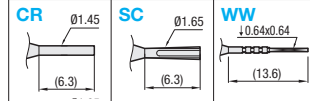
Contact Probe
Minimum Mounting Pitch 3.96mm
Sold by the package (50 pcs./pkg.)

Receptacle
Sold by the package (50 pcs./pkg.)

NPM156 : Contact Probe



NRM156 : Receptacle

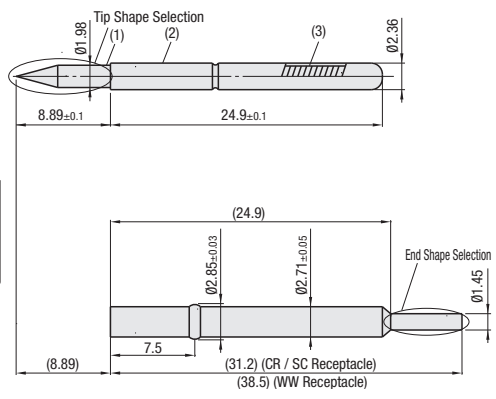


Contact Probes

Part	Material	Surface Treatment
(1) Plunger	SK4	Gold Plating on Nickel Undercoat
(2) Barrel	Phosphor Bronze	Gold Plating on Nickel Undercoat
(3) Spring	SWP-A	Gold Plating on Nickel Undercoat

Receptacles

Material	Surface Treatment
Phosphor Bronze	Gold Plating on Nickel Undercoat



Contact Probes

Part Number	Tip Shape	Mounting Pitch (min)	Full Stroke	Spring Pressure 2/3 Stroke	Allowable Current	Resistance	Replacement Cycle (Reference)	Unit Price (50 pcs./pkg.)
NPM125	V, B	3.18mm	6.35mm	255gf	5A	30mΩ	200,000 times	
NPM156	V, B, A1, VH	3.96mm	6.35mm	113gf	5A	50mΩ	200,000 times	

Receptacle

Part Number	Tip Shape	Matching Contact Probe	Mounting Hole for Press-Fitting Dimension (Reference)	Unit Price (50 pcs./pkg.)
NRM125	CR	NPM125	0.2.4mm	
NRM156	CR, SC, WW	NPM156	0.2.75mm	



Ordering Example
Part Number - Tip (End) Shape
NPM125 - V
NRM156 - WW