

# Flat Belt Conveyor High Power Type

## Head Drive, 3-Groove Frame (Pulley Dia. 60mm / 30mm)

CE  
Compliant

\* The above compliance applies only for Single-phase 230V Motors.

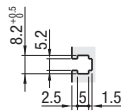
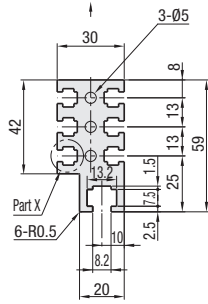
■ **Features:** Up to 90W, Medium distance (up to 6m) transfer suited conveyor.



	Frame	Motor Cover	Pulley Holder
<b>M</b> Material	Aluminum	SPCC	SS400
<b>S</b> Surface Treatment	Clear Anodize	Paint	Paint

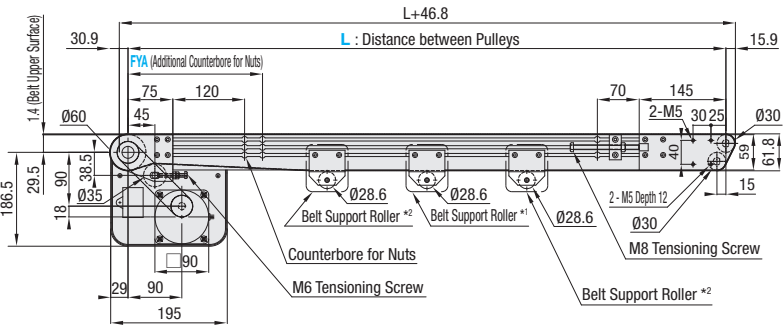
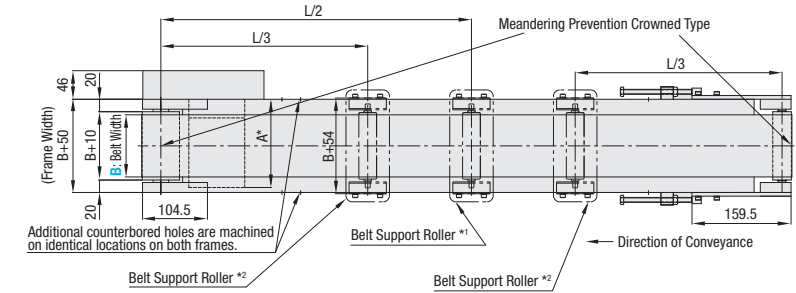
### Frame Cross Section and Enlarged View (Symmetrical)

Carrying Surface Side



Part X (for M5)

### CVSE 60W/90W Motor Type



\*1. When  $L \geq 2005$ , a belt support roller is mounted in the diagram location.

\*2. When  $L \geq 4005$ , 2 belt support rollers are mounted in the diagram locations.

⚠ The dimensions in the diagram is for Belt Specification H (0.9mm THK.). Note that belt thickness varies by Belt Specifications. For Belt Specifications, see P1313~.

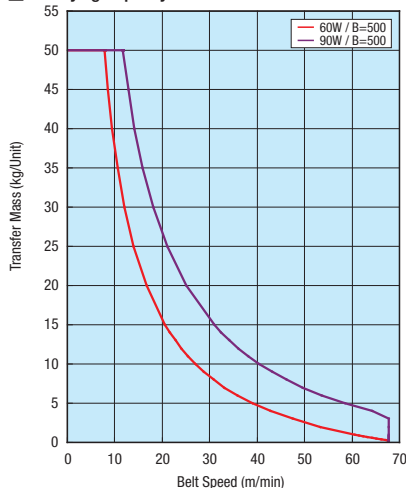
⚠ On some operating environments, conveyance failure may occur.

⚠ Compatible with JIS standard hex nuts.

### \*A Dimension (Motor Overall Length) Details

Output (W)	Motor		Reduction Ratio	A
	Specification	Manufacturer		
60W	Induction Motor	Panasonic	5-180	180.0
		Oriental	5-180	185.0
		Taiwanese	5-75	182.6
	Variable Speed Motor	Oriental	90-180	191.6
		Taiwanese	5-180	215.0
		Taiwanese	5-75	194.6
90W	Induction Motor	Panasonic	5-180	195.0
		Oriental	5-180	200.0
		Taiwanese	5-75	195.6
	Variable Speed Motor	Taiwanese	90-180	204.6
		Oriental	5-180	230.0
		Taiwanese	5-75	209.6
Taiwanese	90-180	218.6		

### ■ Conveying Capacity



\* Reference Value

### ■ Gearhead Reduction Ratio

\* May decrease depending on load condition.

Gearhead Reduction Ratio	Belt Speed (m/min)	
	50Hz	60Hz
5	56.4	67.7
7.5	37.6	45.1
9	31.3	37.6
12.5	22.6	27.1
15	18.8	22.6
18	15.7	18.8
25	11.3	13.5
30	9.4	11.3
36	7.8	9.4
50	5.6	6.8
60	4.7	5.6
75	3.8	4.5
90	3.1	3.8
100	2.8	3.4
120	2.4	2.8
150	1.9	2.3
180	1.6	1.9