


Bearings with Housings

T-Shaped Double Bearings

Features: More stable than the single type and suitable for cantilever applications that bear a load.



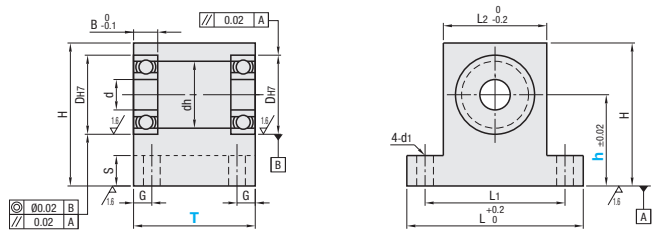
RoHS10

Type	Material		Surface Treatment	
	Bearing	Housing	Bearing	Housing
BGHWB	Steel	S45C Equivalent	Black Oxide	
BGHW			Electroless Nickel Plating	
BGHWA			Clear Anodize	
BGHWSA	Stainless Steel	SUS304 Equivalent	-	
BGHS			-	

* Bearings with Rubber Seals (VV and DD) are all made of steel.

Bearing Accuracy: JISB1514 Class 0

$\sqrt{6.3} / (\sqrt{1.6})$



Part Number			T	h	d	DH7	Tolerance	dh	B	H	L	L1	L2	G	S	C	d1			
Type	Bearing No.	Seal																		
BGHWB BGHW BGHWA BGHWSA BGHS	623	ZZ Double Shielded	20 30	15	3	10	+0.015 0	7	4	h+9	36	26	16	5	5	5	4.5			
	624		20 30		4	13		5	14	+0.018 0	10	5	h+11					38	28	18
	605		20 30		5	16			12		h+12		46					34	20	
	625		25 30	20	25	30	6	17	19	15	6	h+13	47	35	23	6	10	5.5		
	606		25 35									13	h+14	49	37				25	
	626		25 35									15	h+15	53	41				29	
	608		25 35	8	22	24	10	22	19	6	h+15	53	41	29	6	10	5.5			
	628		25 35									20	h+16	56				44	32	
	6900		25 40									22	h+15	53				41	29	
	6000		25 40	10	26	30	+0.021 0	24	9	h+17	58	46	34	6	10	5.5				
	6200		30 40								22	h+19	62				50	38		
	6901		25 40								24	h+16	56				44	32		
	6001		25 40	12	28	32	+0.025 0	26	10	h+18	60	48	36	6	10	5.5				
	6201		30 40								28	h+20	64				52	40		
	6902		25 50								28	h+18	60				48	36		
	6002		30 50	15	32	35	+0.025 0	28	9	h+20	68	54	40	6	10	5.5				
	6202		35 50								29	h+22	72				58	44		
	6903		25 50								30	h+19	64				52	38		
	6003		30 50	17	35	40	+0.021 0	27	7	h+19	64	52	38	6	10	5.5				
	6203		35 50								31	h+22	70				56	43		
	6904		35 50								34	h+24	76				62	49		
	6004		40 50	20	37	42	+0.025 0	34	9	h+23	73	59	45	6	10	5.5				
	6204		45 50								36	h+25	82				66	50		
	6005		40 60								40	h+28	88				72	56		
	6205		45 60	25	47	52	+0.030 0	41	12	h+25	96	76	56	6	10	5.5				
	6006		45 60								45	h+31	102				82	62		
	6206		50 60								48	h+32	104				84	64		
	6007		50 60	30	62	66	+0.030 0	55	16	h+36	112	92	72	6	10	5.5				
	6207		60 70								55	h+36	112				92	72		
	6008		50 70								55	h+36	112				92	72		
6208	60 80	35	72	68	+0.030 0	64	17	h+44	148	118	88	6	10	5.5						
6008	50 70								60	h+41	122				102	82				
6208	60 80								60	h+41	122				102	82				
6008	50 70	40	68	80	+0.030 0	74	18	h+50	160	130	100	6	10	5.5						
6208	60 80								74	h+50	160				130	100				

* No. 623, 624, 605 and 606 are not available for VV (Non-contact Sealed).

Ordering Example

Part Number			-	T	-	h
Type	Bearing	Seal				

BGHW 6000 ZZ - 40 - 30