

Bearings with Housings - Cast

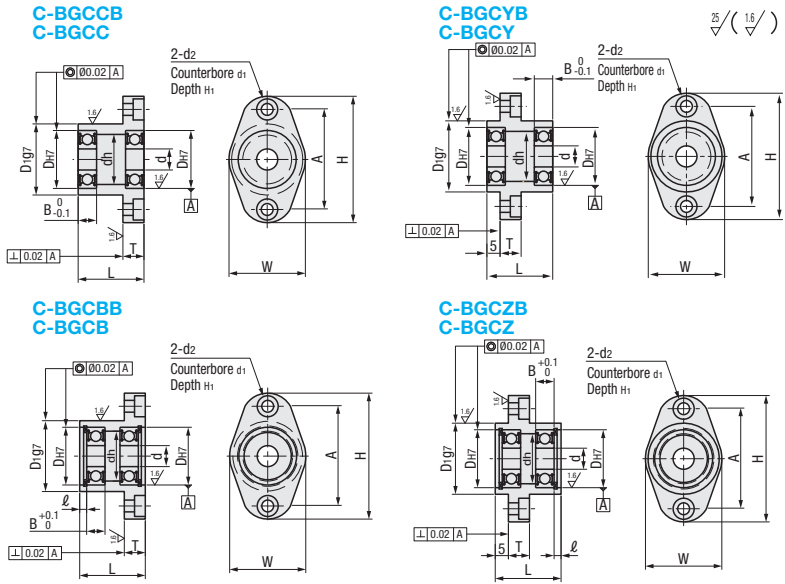
Space Saving, Double Bearings

35% more economical than milled products.



RoHS 10

Type				Material		Surface Treatment		Accessory:
Non-Retained	Pilot, Non-Retained	Retained	Pilot, Retained	Bearing	Housing	Housing		Retaining Ring
C-BGCCB	C-BGCYB	C-BGCBB	C-BGCZB	Bearing Steel	S45C Equivalent	Black Oxide		Spring Steel
C-BGCC	C-BGCY	C-BGCB	C-BGCZ			Electroless Nickel Plating		



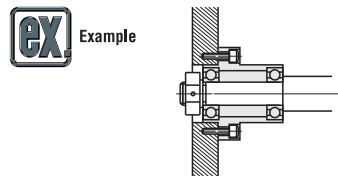
Bearing Accuracy: JIS B 1514 Class 0

Part Number		d	DH7	D1g7	dh	B	T	l	L	W	A	H	d1	d2	H1	Allowable Rotational Speed rpm (Reference)
Type	Bearing No.															
Non-Retained C-BGCCB C-BGCC	608ZZ	8	22	27	19	7	8	2.65	25	29	38	48	8	4.5	4.1	34000
	6900ZZ	10	22	27	19	6	8	2.65	25	29	38	48	8	4.5	4.1	32000
Pilot, Non-Retained C-BGCYB C-BGCY	6000ZZ	10	26	32	22	8	8	2.85	25	34	44	54	8	4.5	4.1	30000
	6901ZZ	12	24	32	22	6	8	2.85	25	34	44	54	8	4.5	4.1	30000
Retained C-BGCBB C-BGCB	6001ZZ	12	28	34	24	8	8	2.85	25	36	46	56	8	4.5	4.1	27000
	6902ZZ	15	28	35	25	7	10	2.85	25	37	48	60	9.5	5.5	5.1	26000
Pilot, Retained C-BGCZB C-BGCZ	6002ZZ	15	32	38	28	9	10	2.85	30	40	52	64	9.5	5.5	5.1	23000
	6904ZZ	20	37	45	34	9	11	3.75	35	47	60	74	11	6.6	6.1	19000
	6004ZZ	20	42	50	36	12	11	3.95	40	52	66	80	11	6.6	6.1	17000

Bearings used for this product are equivalent to the ones shown on P1018, 1020.
 • This is a product designed exclusively for light load, intermediate and low rotation speeds, and medium rotational accuracy applications.
 • Confirm the internal clearance and load rating.
 • Do not use in areas where heavy load or high speed is applied or where high rotational accuracy is required.

Ordering Example

Part Number	
Type	C-BGCC
Bearing	6000ZZ



Bearing No.	Type	Unit Price							
		Non-Retained		Pilot, Non-Retained		Retained		Pilot, Retained	
		C-BGCCB	C-BGCC	C-BGCYB	C-BGCY	C-BGCBB	C-BGCB	C-BGCZB	C-BGCZ
608ZZ									
6900ZZ									
6000ZZ									
6901ZZ									
6001ZZ									
6902ZZ									
6002ZZ									
6904ZZ									
6004ZZ									