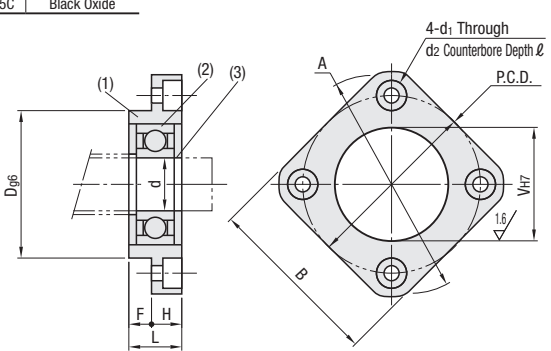


RoHS 10

Type	Material	Surface Treatment
C-BUR	S45C	Black Oxide



**Component Details**

Number	Part Name	Qty.
(1)	Housing	1
(2)	Oversea manufactured radial bearing	1
(3)	Retaining Ring (STWN)	1

Part Number		d	L	H	F	D	A	P.C.D	B	V	d1	d2	l	Bearing Part Number	Retaining Ring	C-BUR Unit Price
Type	No.															
C-BUR	6	6	10	6	4	22	36	28	28	17	3.4	6.5	4	B606ZZ	STWN6	
	10	8	12	7	5	28	43	35	35	22				B608ZZ	STWN8	
	12	10	15	8	34	52	42	42	26	4.5	8	5.5	B600ZZ	STWN10		
	15	15	17	9	40	63	50	52	32	5.5	9.5	6.5	B600ZZ	STWN15		
	20	20	20	11	9	57	85	70	68	47	6.6	11	8.5	B6204ZZ	STWN20	
25	25	24	14	10	63	98	80	79	52	9	14		B6205ZZ	STWN25		



Ordering Example

**Part Number**


**C-BUR15**

(Support Side Single Type)

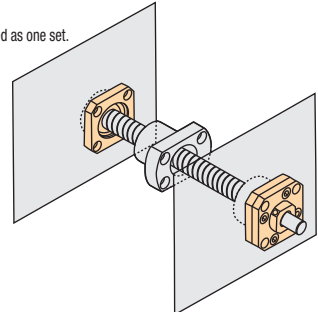
**SET part overview**

For customers using in conjunction with fixed side and support side MISUMI recommends a SET, which allows the fixed side and support side to be ordered as one set. 5% price reduction when ordering in SETs

SET part



Fixed Side
Support Side



**<SET parts>**

SET Part Number	SET parts	
	Fixed Side Part Number	Support Side Part Number
C-BRW6-SET	C-BRW6	C-BUR6
C-BRW8S-SET	C-BRW8S	C-BUR6
C-BRW8-SET	C-BRW8	C-BUR6
C-BRW10S-SET	C-BRW10S	C-BUR10
C-BRW10-SET	C-BRW10	C-BUR10
C-BRW12-SET	C-BRW12	C-BUR12
C-BRW15-SET	C-BRW15	C-BUR15
C-BRW15S-SET	C-BRW15S	C-BUR15
C-BRW20-SET	C-BRW20	C-BUR20
C-BRW25-SET	C-BRW25	C-BUR25