

Shaft Supports - Flanged Mount, Long Sleeve

Long Sleeve

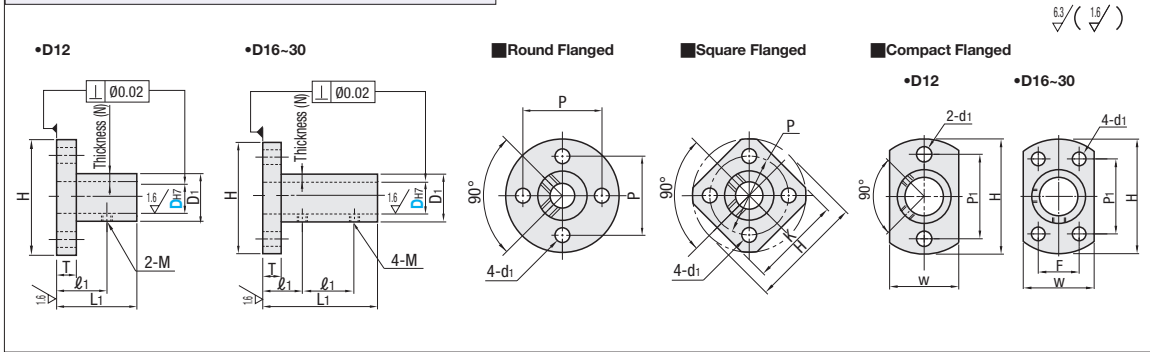
■ **Features:** Long sleeve enhances the retaining force.

🔗 **For products other than catalog specifications, see ☞ P.131.**



Type	Through Mounting Holes			Material	Surface Treatment
	Round Flanged	Square Flanged	Compact Flanged		
Long Sleeve	STHRBL	STHSBL	STHCBL	Steel for General Structure SUS304	Black Oxide
	STHRL	STHSL	STHCL		Electroless Nickel Plating
	SSTHRL	SSTHSL	SSTHCL		-

🔗 For included Hex Socket Set Screw, refer to Alterations.



Part Number			Sleeve Thickness (N)	L1	D1	H	T	l1	M (Coarse)	P	K	W	P1	F	d1		
Type	DH7																
Round Flanged STHRBL STHRL SSTHRL	Square Flanged	12	+0.018 0	2	30	16	36	6	15	M4	26	28	20	26	-	4.5	
		16		3	48	22	42				32	33	26	28			16
	Compact Flanged	STHCBL STHCL SSTHCL	20	+0.021 0	4	48	28	50	8	16	M5	39	39	32	31	22	5.5
			25			33	55	8	19	44		44	37	36	24		
			30			57	38	66	10	19	M6	52	52	42	41	27	6.6

D	Unit Price								
	Round Flanged			Square Flanged			Compact Flanged		
	STHRBL	STHRL	SSTHRL	STHSBL	STHSL	SSTHSL	STHCBL	STHCL	SSTHCL
12									
16									
20									
25									
30									

🔧 **Ordering Example** **Part Number**
STHRBL12

🔧 **Alterations** **Part Number** - (MB)
STHR10 - MB
STHR20 - MB

Alterations	Hex Socket Set Screw Included	
Code	MB	
Spec.	Hex socket set screws come as a set. Screw head can protrude from outer cylinder (D1). 🔗 Included screws are SCM435 (Black Oxide) for Black Oxide and Black Anodized Products. 🔗 For products other than above, SUS screws are included. 🔗 Long Sleeve Type comes with 4 set screws; others come with 2 set screws.	
	D	M x Length
	3·4·5·6·8·10	M3x3
	8M·10M·12·13 15·16	M4x3
	18·20·25	M5x4
	30·35·40·50	M6x5