

# Angle Plates

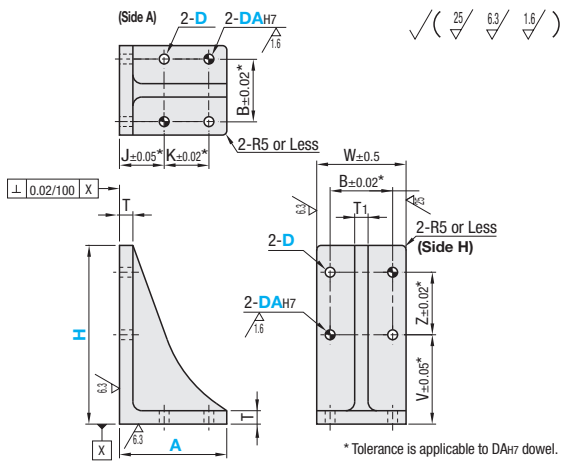
## Opposite Angle Dowel Holes / Wide

**Features:** Through hole diameter and dowel hole diameter are selectable. Select them depending on the application.



Type	Material	Surface Treatment
<b>IKKB</b>	FC250	Primer Paint (Gray)
<b>AIKKB</b>	AC7A	-

FC250: Surface treatment is not applied to the machined surfaces and holes.



Part Number Type	H	A	D Selection	DA Selection	Angle Plate Body			Side A and H			Side A		Side H		Unit Price		
					W	T	T <sub>1</sub>	B	J	K	V	Z	IKKB	AIKKB			
<b>IKKB</b> <b>AIKKB</b>	100	*50S	4 5 6	3 4 5	50	15	8	30	25	10	45	40					
		100	7 9 11	6 8 10	100			14	70	45							40
		50	4 5 6	3 4 5	50			8	30	25							10
	150	70	7 9 11	6 8 10	100	15	14	70	40	15	75	60					
		75			75			40	20								
		100			100			45	40								
	200	75	7 9 11	6 8 10	75	15	14	50	40	20	110	70					
		120			100			50	50								
	250	120	7 9 11	6 8 10	100	18	15	70	50	50	140	90					
		300							150	190							
		350							150	230							100
		400							150	260							120

\* Except for A dimension, dimensions of A=50S is smaller than those of A=50.



Ordering Example

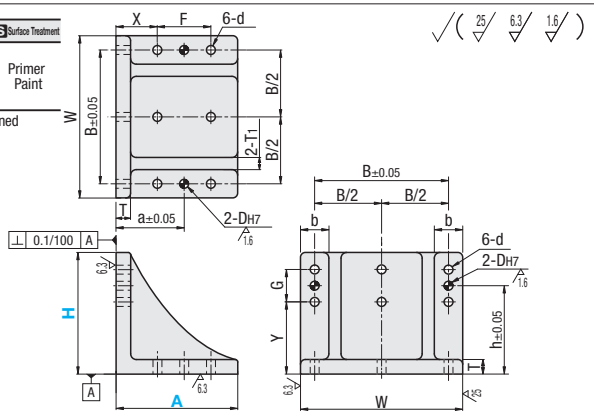
Part Number - A - D - DA  
**IKKB150 - A100 - D7 - DA10**

**Features:** Can be used in height limited spaces.



Type	Mounting Hole	Material	Surface Treatment
<b>WIKFB</b>	No Hole	FC250	Primer Paint
<b>WIKD</b>	With Mounting Hole		
<b>WIKK</b>	With Mounting Hole and Dowel Hole		

Surface treatment is not applied to the machined surfaces and holes.



Part Number Type	H	A	W	T	T <sub>1</sub>	B	a	X	F	h	Y	G	DH7	b	d	WIKFB		WIKD		WIKK												
																Unit Price	Volume Discount Rate	Unit Price	Volume Discount Rate	Unit Price	Volume Discount Rate											
<b>WIKFB</b>	100	100	200	18	15	165	59	39	40	59	39	40	10	35	11	1-19 pcs(s)	20-50	1-19 pcs(s)	20-50	1-19 pcs(s)	20-50											
<b>WIKD</b>	150	100	200													84	51	66	109	89												
<b>WIKK</b>	150	150	200																													

For orders larger than indicated quantity, please request a quotation.



Ordering Example

Part Number - A  
**WIKD100 - 100**