


Angle Plates

Mounting Hole Selectable, Hole Position Fixed

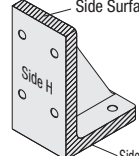
■ **Features:** Combinations not standardized in other pages such as slotted holes and tapped holes are available as desired.

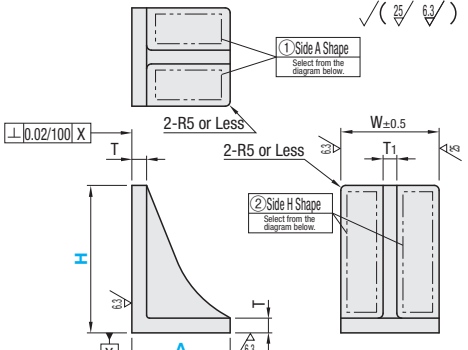


RoHS 10

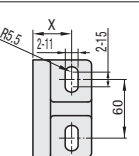
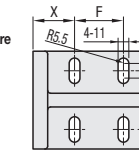
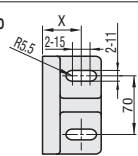
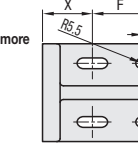
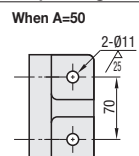
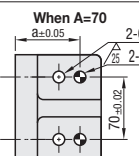
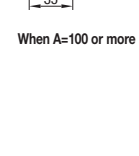
Type	Side A Shape <small>See the diagram below.</small>	Side H Shape <small>See the diagram below.</small>	Material	Surface Treatment
IK		X	FC250	Primer Paint (Gray)
BIK	X	Z		Black Oxide
MIK	Y	K	AC7A	Electroless Nickel Plating
AIK	K	T		-

⚠ FC250: Surface treatment is not applied to the machined surfaces (Side H, Side A, Side Surface) and holes.

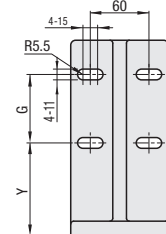
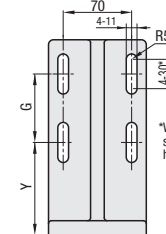
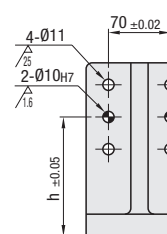
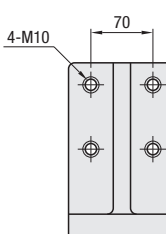




① Side A Shape

X (Slotted Hole X Direction)	Y (Slotted Hole Y Direction)	K (Through Holes and Dowel Holes)
<p>When A=50 or 70</p>  <p>When A=100 or more</p> 	<p>When A=50 or 70</p>  <p>When A=100 or more</p> 	<p>When A=50</p>  <p>When A=70</p>  <p>When A=100 or more</p> 

② Side H Shape

X (Slotted Hole X Direction)	Z (Slotted Hole Z Direction)	K (Through Holes and Dowel Holes)	T (Tapped Hole)
	 <p>*When H=100, straight sections of slotted holes are 15.</p>		

Type	Part Number				Angle Plate Body			Side A and Side H													
	① Side A Shape	② Side H Shape	H	A	W	T	T ₁	Slotted Hole (Shape Selection XYZ)				Through Holes and Dowel Holes (Shape Selection K)				Tapped (Shape Selection T)					
	X (Slotted Hole X Direction) Y (Slotted Hole Y Direction) K (Through Holes and Dowel Holes)	X (Slotted Hole X Direction) Z (Slotted Hole Z Direction) K (Through Holes and Dowel Holes) T (Tapped Hole)	100	50 100 150 200 250 300 350 400				X	F	Y	G	X	F	Y	G	a	h	Y	G		
IK BIK MIK AIK	X (Slotted Hole X Direction)	X (Slotted Hole X Direction)	100	50	100	15	14	33	-	40	40	35	-	45	40	45	40	65	65	45	40
			100	100				45	40	40	40	45	40	45	40	75	60	55	105	75	60
			150	70				45	-	60	60	40	-	75	60	55	65	105	75	60	
			100	100				40	40	60	60	45	40	110	70	75	145	110	70		
	Y (Slotted Hole Y Direction)	Z (Slotted Hole Z Direction)	K (Through Holes and Dowel Holes)	100		120	18	15	45	50	125	90	50	50	140	90	75	185	140	90	
				150		120	80			175	90	50	190	235	190						
				200		120	215			100	230	280	230	100							
				250		150	245			120	260	320	260	120							

H	A	Body Price				Charge of Hole Machining on Side A and Side H		
		IK	BIK	MIK	AIK	Slotted Hole (Shape Selection XYZ)	Through Holes and Dowel Holes (Shape Selection K)	Tapped (Shape Selection T)
100	50							
	100							
150	70							
	100							
200	120							
250	120							
300	150							
350								
400								

Ordering Example

Part Number					A
Type	Side A	Side H	H	-	A
IK	Y	K	150	-	100

Body Price + Hole Machining Price of Side A + Side B = Unit Price
 (Example of Price Calculation) Side (A) Side (B)
 IKYK150-100
 AIKX200-120