


Gussets

Bridge Type

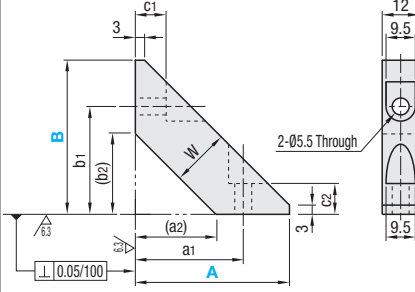
■ **Features:** Bridge shape enables uses where there are interferences such as wirings. (Refer to App. Example)



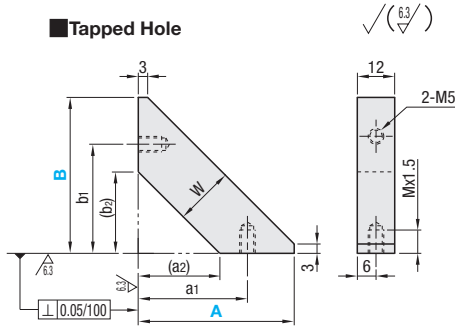
RoHS10

Type	M	S
Counterbored Hole	Material	Surface Treatment
RBUSS	Steel for	-
RBUB	General	Black Oxide
RBUM	Structure	Electroless Nickel Plating
RBUA	-	-
RBUW	Aluminum Alloy	Clear Anodize
RBUV	-	Black Anodize
RBUF	SUS304	-

■ **Counterbored Hole**



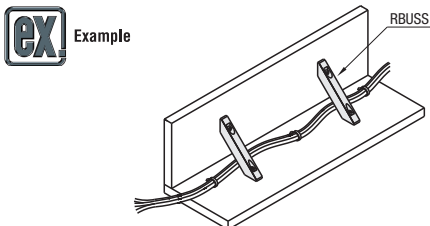
■ **Tapped Hole**



Part Number		A	B	a1	b1	(a2)	(b2)	c1	c2	W
Type										
Counterbored Hole (SS400) RBUSS RBUB RBUM	Tapped Hole	50	50	40	40	26.1	26.1	5	5	19
			80	40	60	29.5	48.4	10	10	
			100	40	80	30.3	62.6	5	5	
(A5052) RBUA RBUW RBUV RBUF	(A5052) RBJW	80	80	65	65	51.8	51.8	10	10	22
			100	65	80	54.2	68.3	10	10	
			150	85	85	71.8	71.8	10	10	
(SUS304) RBUW RBUV RBUF		100	100	85	85	71.8	71.8	10	10	22
			150	125	125	75.6	114.6	10	10	

Ordering Example Part Number - B
 RBUF100 - 150
 RBJW50 - 80

A	B	Unit Price							
		Counterbored Hole							Tapped Hole
		RBUSS	RBUB	RBUM	RBUA	RBUW	RBUV	RBUF	RBJW
50	50								
	80								
	100								
80	80								
	100								
100	100								
	150								



■ It can be installed without interference of wiring.