

# [High Precision] Dovetail Slide, Feed Screw

■ **Features:** XYZ-Axis low profile (height 15mm →) dovetail slide stages with feed screws.

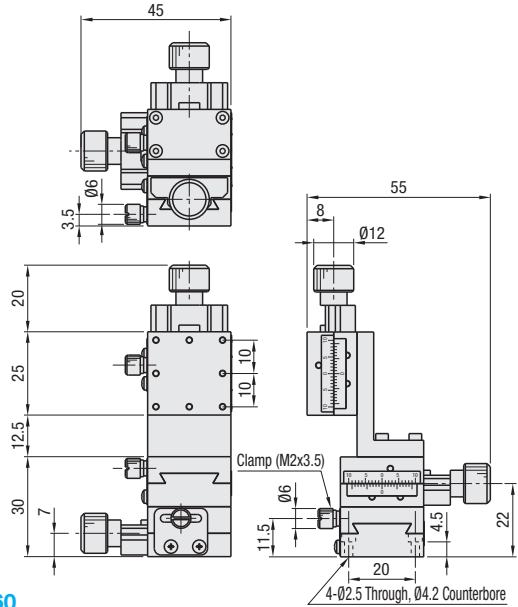
## ■ XYZ-Axis Feed Screw (Lead 0.5mm)



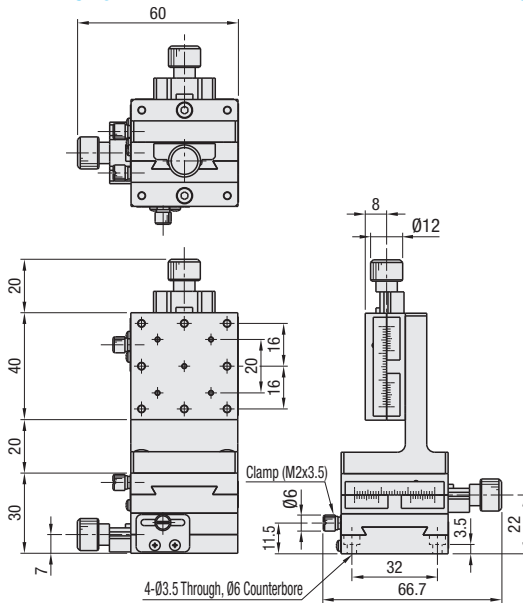
☒ X-Axis: **P.1897**  
☒ XY-Axis: **P.1933**  
☒ Z-Axis: **P.1962**

RoHS10

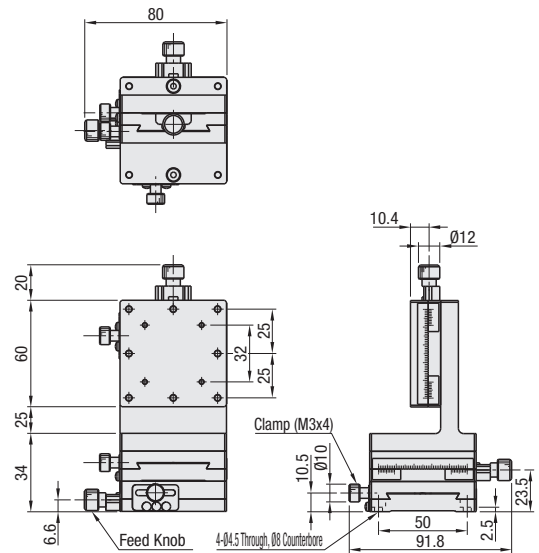
## XYZEG25



## XYZEG40



## XYZEG60



☒ Material: (Main Body) Low Cadmium Brass  
(Feed Knob) Aluminum

☒ Surface Treatment: Black Fluororesin Treatment

☒ Standard Stages with Similar Specifications: Combination of XYFES (P.1931) and ZFES (P.1961)

Part Number		Stage Configuration		Stage Surface	Travel Distance (mm)			Load Capacity	Weight	Accessory (4 pcs.)	Unit Price
Type	No.	Bottom	Top	(mm)	X	Y	Z	(N)	(kg)	Type M-L	
XYZEG	25	XYEG25	ZEG25	25x25	±5	±5	±5	9.8	0.24	SCB2-8	
	40	XYEG40	ZEG40	40x40	±7	±7	±7		0.65	SCB3-6	
	60	XYEG60	ZEG60	60x60	±9	±9	±9	19.6	1.95	SCB4-6	

☒ For detailed dimensions, material and characteristics, see the CAD data and the catalog page for each stage. ☒ XYEG P.1933, ☒ ZEG P.1962

☒ Extension Cover HDEX112 (Sold Separately): Ø12 knob can be extended. ☒ P2004



Ordering Example

Part Number  
**XYZEG25**