

[High Precision] Cross Roller

Micrometer Head

■ **Features:** Cross Roller XZ-Axis Stages made of lightweight aluminum alloy.

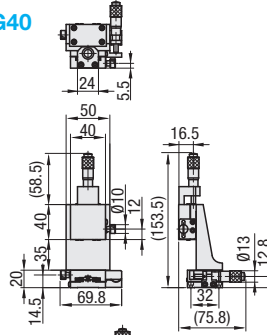
XZ-Axis



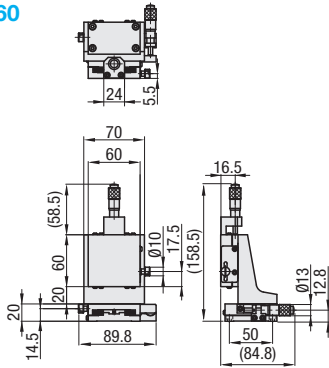
X-Axis **P.1918**
Z-Axis **P.1968**

RoHS10

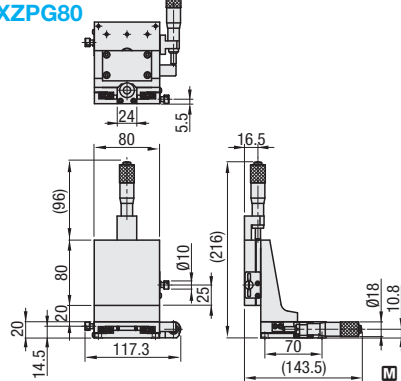
XZPG40



XZPG60



XZPG80



Ⓜ For top surface mounting hole dimensions, see Cross Roller X-Axis Stages on **P.1918**.

Ⓜ Standard Stages with Similar Specifications: Combination of XCRS (X-Axis, **P.1917**) and ZCRS (**P.1967**)

Part Number	No.	Stage Configuration		Stage Surface (mm)	Travel Distance (mm)		Load Capacity (N)	Weight (kg)	Unit Price
		Bottom	Top		X	Z			
XZPG	40	XPG40	ZPG40	40x40	±6.5	±6.5	9.8	0.34	
	60	XPG60	ZPG60	60x60	±6.5	±6.5	19.6	0.70	
	80	XPG80	ZPG80	80x80	±12.5	±12.5	49.0	1.30	

Ⓜ For dimension details, see the CAD data and the catalog page for each stage.

Ⓜ Knob Cover HDCVR13 (Sold Separately): $\varnothing 13$ micrometer knob diameter can be increased by installing the cover. **P.2004**

Ⓜ Extension Cover HDEXT13 (Sold Separately): Feed knob of $\varnothing 13$ micrometer head and feed screw can be extended. **P.2004**

Ⓜ For orders larger than indicated quantity, please request a quotation.

Ordering Example
Part Number
XZPG60

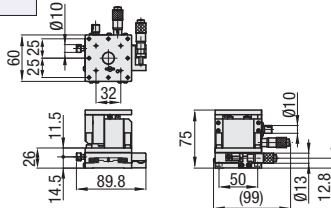
■ **Features:** Cross Roller XZ-Axis Stages made of lightweight aluminum alloy. The horizontal surfaces move vertically.

X + Horizontal Surface Z-Axis

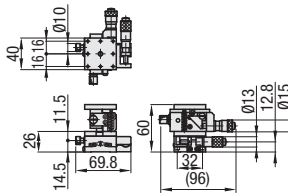


X-Axis **P.1918**
Horizontal Surface Z-Axis **P.1973**

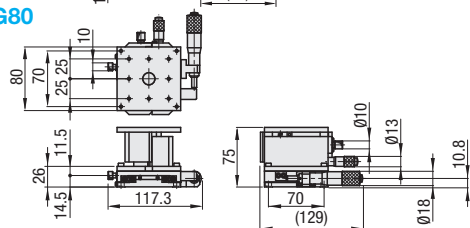
XZLPG60



XZLPG40



XZLPG80



Ⓜ Material: Aluminum Alloy
Ⓜ Surface Treatment: Black Anodize

Part Number	No.	Stage Configuration		Stage Surface (mm)	Travel Distance (mm)		Load Capacity (N)	Weight (kg)	Unit Price
		Bottom	Top		X	Z			
XZLPG	40	XPG40	ZLPG40	40x40	±6.5	±3.0	9.8	0.35	
	60	XPG60	ZLPG60	60x60	±6.5	±5.0	19.6	0.63	
	80	XPG80	ZLPG80	80x80	±12.5	±5.0	29.4	1.47	

Ⓜ For dimension details, see the CAD data and the catalog page for each stage.

Ⓜ Knob Cover HDCVR13 (Sold Separately): $\varnothing 13$ micrometer knob diameter can be increased by installing the cover. **P.2004**

Ⓜ Extension Cover HDEXT13 (Sold Separately): Feed knob of $\varnothing 13$ micrometer head and feed screw can be extended. **P.2004**

Ⓜ For orders larger than indicated quantity, please request a quotation.

Ordering Example
Part Number
XZLPG80