


Points on Similar Product Comparison | Parallelism: 100µm

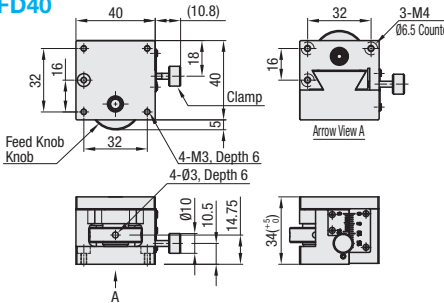
Similar Product Pages P.1972

Features: Horizontal Surface Z-Axis Type with feed screw. This is superior to Rack & Pinion Type in load capacity. Space-saving is achieved by limiting the position of clamp/scale to the right side face.

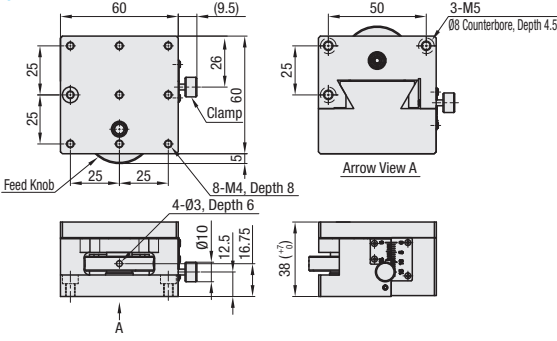
Horizontal Surface Z-Axis, Feed Screw



ZLFD40



ZLFD60



RoHS10


Z-Axis Stages High Precision Stage Existing Product: ZLFG (P.1972), ZLPG (P.1973)

Part Number	Stage Surface (mm)	Travel Distance (mm)	Travel per Rotation (mm)	Parallelism (µm)	Load Capacity (N)	Weight (kg)	Unit Price
ZLFD							
40	40x40	+5	0.5	100	29.4	0.15	
60	60x60	+7	0.5	100	98.1	0.37	

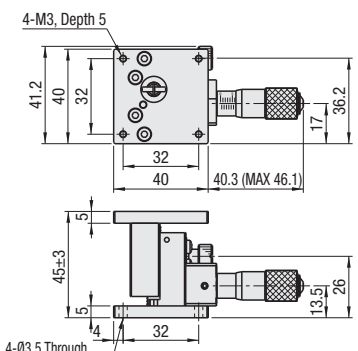
Ordering Example Part Number ZLFD40

Features: Z-Axis Stages with the stage top rising/lowering horizontally. Best suited for setup changes and simple focus adjustments.

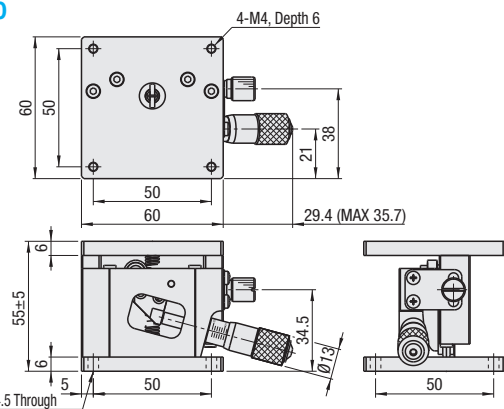
Horizontal Z-Axis, Linear Ball Slide



ZLLB40



ZLLB60



RoHS10

Accessory: SUS Hex Socket Low Head Cap Screws ZLLB40 (M3-10, 4 pcs.), ZLLB60 (M4-12, 4 pcs.)

M Material: Steel
S Surface Treatment: Electroless Nickel Plating

Z-Axis Stages High Precision Stage Existing Product: ZLPGS (P.1972), ZLPG (P.1973)

Part Number	Stage Surface (mm)	Travel Distance (mm)	Load Capacity (N)	Resolution (µm/division)	Parallelism (µm)	Weight (kg)	Unit Price
ZLLB							
40	40x40	±3.0	29.4	= 5	80	0.3	
60	60x60	±5.0	49.0	=10		0.7	

The micrometer head is only for raising and lowering the positioning stage. The scale and the amount by which the positioning stage is raised and lowered will vary.

Ordering Example Part Number ZLLB40