

[High Precision] XY-Axis Dovetail Slide, Rack & Pinion Rectangular

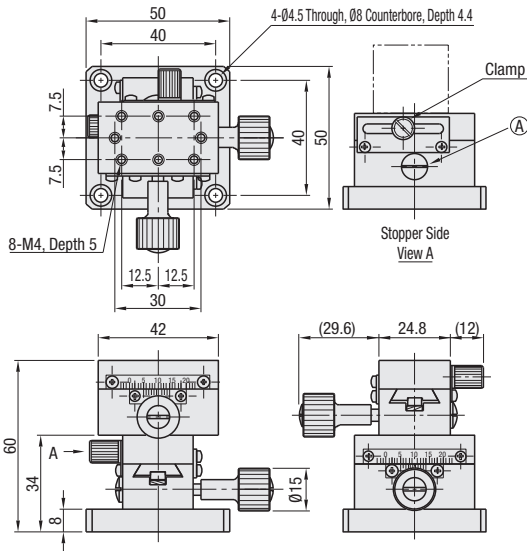
■ **Features:** Square Dovetail Slide XY-Axis Stages with 18mm travel per knob rotation. Can be utilized for smooth long distance moves.

■ XY-Axis, Rectangular

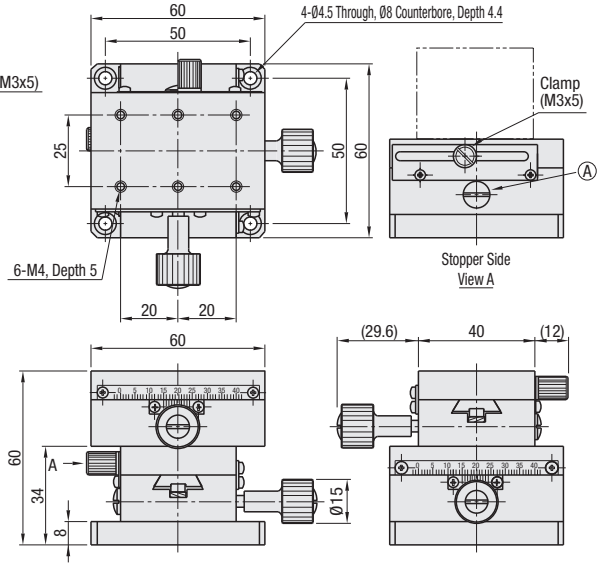
☞ X-Axis: **P1904**
☞ Z-Axis: **P1954**

RoHS10

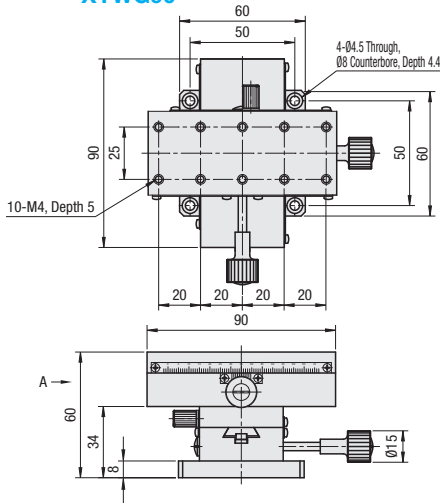
XYWG40



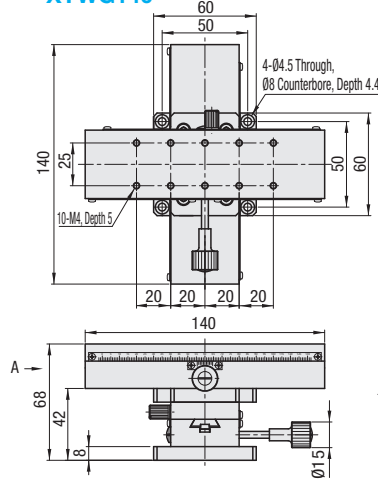
XYWG60



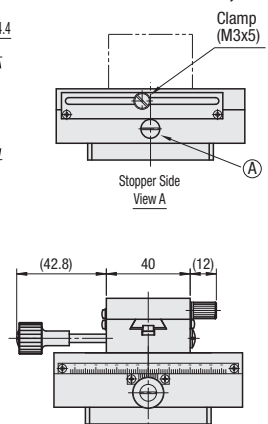
XYWG90



XYWG140



Common to XYWG90,140



M Material: Aluminum Alloy

S Surface Treatment: Black Anodize

☞ By turning the preload adjustment screw clockwise (A) with a flathead screwdriver, the stage slides slowly, and by turning counterclockwise the stage slides quickly and smoothly.

☞ Standard Stages Similar Products (available for limited sizes only): XYDTS (P1938)

Part Number	Stage Surface (mm)	Travel Distance (mm)	Travel per Rotation (mm)	Load Capacity (N)	Travel Accuracy (µm)	Weight (kg)	Unit Price
XYWG	40	24.8x42	±12	24.5	30µm	0.29	
	60	40x60	±21	34.3		0.51	
	90	40x90	±35			0.73	
	140	40x140	±60			1.08	



Ordering Example

Part Number
XYWG90

☞ Resolution (Vernier Scale Indication): 0.1mm/division
☞ Knob Cover HDCVR15 (Sold Separately): Ø15 knobs can be increased in diameter by installing the cover. ☞ P2004
☞ Travel accuracy values shown are for single axis configuration.